

(19) World Intellectual Property Organization  
International Bureau



(43) International Publication Date  
25 September 2008 (25.09.2008)

PCT

(10) International Publication Number  
**WO 2008/113392 A1**

(51) International Patent Classification:  
*G21K 1/00* (2006.01) *G21B 1/00* (2006.01)

RU, SC, SD, SE, SG, SK, SL, SM, SV, SY, TJ, TM, TN,  
TR, TT, TZ, UA, UG, US, UZ, VC, VN, ZA, ZM, ZW.

(21) International Application Number:  
PCT/EP2007/002606

(84) Designated States (unless otherwise indicated, for every kind of regional protection available): ARIPO (BW, GH, GM, KE, LS, MW, MZ, NA, SD, SL, SZ, TZ, UG, ZM, ZW), Eurasian (AM, AZ, BY, KG, KZ, MD, RU, TJ, TM), European (AT, BE, BG, CH, CY, CZ, DE, DK, EE, ES, FI, FR, GB, GR, HU, IE, IS, IT, LT, LU, LV, MC, MT, NL, PL, PT, RO, SE, SI, SK, TR), OAPI (BF, BJ, CF, CG, CI, CM, GA, GN, GQ, GW, ML, MR, NE, SN, TD, TG).

(22) International Filing Date: 22 March 2007 (22.03.2007)

(25) Filing Language: English

(26) Publication Language: English

(71) Applicant and

(72) Inventor: TAVAKOLI KESHE, Mehran [IR/GB]; Kappellestraat 51, B-8573 Tiegem (BE).

**Declarations under Rule 4.17:**

- as to the identity of the inventor (Rule 4.17(i))
- as to applicant's entitlement to apply for and be granted a patent (Rule 4.17(ii))
- as to the applicant's entitlement to claim the priority of the earlier application (Rule 4.17(iii))

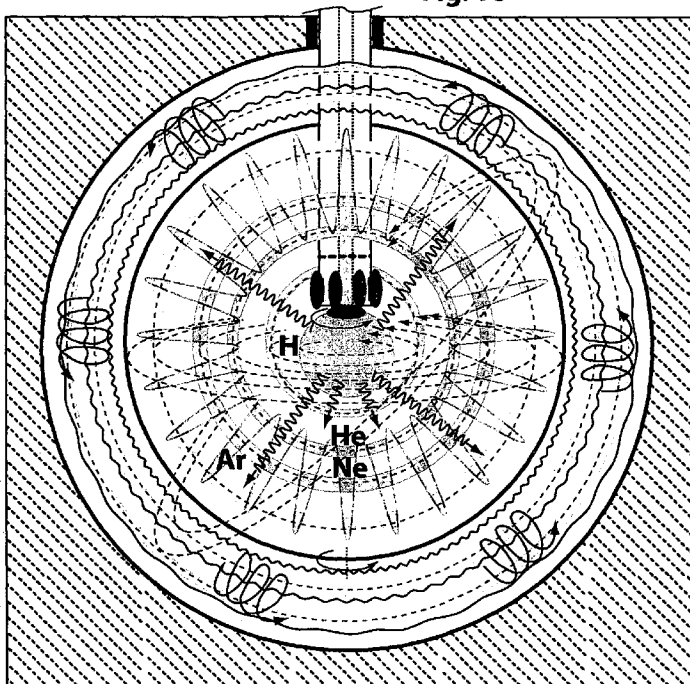
(81) Designated States (unless otherwise indicated, for every kind of national protection available): AE, AG, AL, AM, AT, AU, AZ, BA, BB, BG, BH, BR, BW, BY, BZ, CA, CH, CN, CO, CR, CU, CZ, DE, DK, DM, DZ, EC, EE, EG, ES, FI, GB, GD, GE, GH, GM, GT, HN, HR, HU, ID, IL, IN, IS, JP, KE, KG, KM, KN, KP, KR, KZ, LA, LC, LK, LR, LS, LT, LU, LY, MA, MD, MG, MK, MN, MW, MX, MY, MZ, NA, NG, NI, NO, NZ, OM, PG, PH, PL, PT, RO, RS,

**Published:**

- with international search report
- with amended claims
- with information concerning one or more priority claims considered void

(54) Title: GRAVITATIONAL AND ENERGY SYSTEM

Fig. 10



(57) Abstract: A new method, process and technology is described how introduced materials can self-generate plasmatic conditions, plasma and plasmatic magnetic energy fields in presence of ionization conditions and at room temperature and normal atmospheric conditions. This initial plasma condition - including the generation of voltage and current - can be enhanced by adding motion means. Then more turbulence, rotation, compressive and heating of a gaseous matter is created in a reactor by at least one central rotative magnetic field with the purpose of creating plasmatic conditions leading to the creation various magnetic fields where at least the interaction of two magnetic field would lead to the creation of at least one gravitational force phenomena. In a reactor-embodiment a chain of energetic events is created via a rotative magnetic initiation of a basic ionization of a gas (i.e. hydrogen) which then triggers a controllable chain of energy transfers (Scintillation) to the next following layer(s) of introduced gasses (i.e. He, Ne, Ar, Kr, Xe), of ail other introduced elements of the periodic table (i.e. Li, Be, K, Ca, Ti,... Pt, etc.) and/or their introduced molecule combinations (i.e. a vapor). A central colums has magnetic means to start the process. Various

concepts, applications and products are disclosed, such as space travel and atomic welding.

WO 2008/113392 A1

Description: Gravitational and Energy system

An important part of research on energy happened since about 1940 when the quest for nuclear power and its control really started. We see that several concepts were developed since then. Some special more performing concepts without the nuclear waste problem are still under development, like the Tokamak reactors. The world of nuclear industry seems to be infatuated by the dream to create the power of the Sun on Earth. But a change in the physical design structure of the present reactors is needed because the fusion industry of today has not managed to produce any sustainable and substantial amount of energy after some fifty years of research and development. The reason for the failure of these reactors is rooted in the following three major miscalculations.

**Miscalculation 1:** These reactors all suffer from the central column syndrome. That is to say that, these all have a center solid body right in the middle of the reactor. This is to facilitate the physical loops of the magnetic coil rings, so that the magnetic fields can be produced and maintained to bring the plasma to the right temperature and speed, in order to achieve fusion.

This is a fundamental problem if the scientists are trying to imitate and reach the temperature of the center of the Sun. As when has any one seen a central column in the center of the Sun?

**Miscalculation 2:** The fundamental reversal of laws of physics. If one looks at magnetic field forces in the universe. The magnetic force is created and maintained, from the center outwards, in any star in possession of fusion core. In these man-made designs, the laws of physics are turned inside out, where the magnetic fields are enforced from the outside, inward. This is an explanation as to why the scientists are using so much energy for such a small output.

Our view: The magnetic field force has to be created and maintained from the inner part to radiate out and thus allowing creation of the second magnetic field force inwards, to contain the plasma within the center of the core.

**Miscalculation 3:** Current concepts of fusion production and maintenance lack a source of Gravitational Field Forces like the one in the center of the Sun.

Our view: The secret of the Sun in holding together all the elements that can sustain fusion, is the existence of a massive gravitational field force at its core. What this means, is that the center of the Sun possesses and maintains a very high level gravitational field force, that can hold on to the plasma of its massive body.

This gravity around the center of the Sun is calculated to be in the order of hundreds and thousands of times more powerful than the gravitational force on the surface of the Earth.

If one reads all the past and present reported results of the tests on TOKAMAK-type fusion reactors.

Even, when one asks the men in charge of the latest fusion experiments in UK, they all report the gravity in the reactor core to be a fraction of the

gravitational force on the surface of the earth. This is primarily due to the fact, that, there is no system devised to create and maintain a gravitational field force to hold the plasma in the reactor core and pull it together.

5 If this was or could be achieved there would not be a need for such a large input of current to create the magnetic field force from outside coils.

So how can a nuclear fusion reactor maintain its power without the existence of a Gravitational Field Force?

10 This is like baking a sponge cake without having any flour or egg in the dough. How can one achieve fusion when they do not possess the main ingredient to hold the plasma together to sustain fusion?

15 When these problems are understood and rectified by the scientists they may then use these forces and materials appropriately as in the universe.

20 The other problem which scientists in the world of fusion do not tell and have not considered, is the truth about the one hundreds million degrees centigrade temperature they try to create in the TOKAMAK reactors.

A few thousand degrees melted the Columbia shuttle on re-entry into earth's atmosphere.

25 The present technology cannot handle a few thousand degree's temperature. The question is: How are they going to handle one hundred million degree temperatures for a long time in a two-meter diameter TOKAMAK core without making provision for removing heating from the core?

30 Another important misconception is that plasma can only have high temperatures. In example Wikipedia says: *"Temperature controls the degree of plasma ionization. In particular, plasma ionization is determined by the **electron temperature** relative to the ionization energy (and more weakly by the density) in accordance with the Saha equation. A plasma is sometimes referred to as being **hot** if it is nearly fully ionized, or **cold** if only a small fraction (for example 1%) of the gas molecules are ionized (but other definitions of the terms **hot plasma** and **cold plasma** are common). Even in a "cold" plasma the electron temperature is still typically several thousand degrees. Plasmas utilized in **plasma technology** ("technological plasmas") are usually cold in this sense.* In addition, by unknown in prior art, today plasma's can also be created at room temperature or below, and at normal atmospheric pressure or below. As we have show in our simple reactors, like a cola bottle, a lunch box and a photo-film container. These plasma reactors deliver voltage and current, and can simultaneously separate carbon from the plastic of the bottle and deposit this carbon on copper electrodes under the form of atomic carbon (sp2 and sp3).

45  
50 This question is what the fusion engineers are avoiding to answer. They are hoping to have an answer in fifty years, after spending *thirteen billion dollars* in the next twenty years from the common market and Japan.

5 Nor we see the correct approach in patent-applications by other inventors. All patents and patent-applications miss an essential key to create and manage plasma's, namely that in the correct combination of materials and their contact with radiation sources magnetic fields can be created without initial triggering by heat, magnets, electric pulses, positioning in layers, motion. We show this in our working prototypes, like the static cola bottle (Fig. 11), which produces AND electricity, AND separates materials at atomic level.

10 Prior Art.

Prior art shows in general the tendency to reproduce the conditions and processes in the Sun, and most concepts refer to tori-shaped devices with magnetic confinement, like in patents: US 4363775 (Bussard), US 15 4367193 (Bussard) and 4363776 (Yamanda et Al).

The processes described by Mills (US2004/0247522A1 dd Dec 9, 2004) are initiated by laser and [0768] describes " ... a chemically generated plasma". Further, claim 5 stipulates in §3. "a source of atomic hydrogen". 20 Non of these three specifications is used in our approach, since no laser is used, our process to create hydrogen is atomic, and not chemical, and we don't use a initial source of atomic hydrogen because the atomic hydrogen is generate by itself during the process. Therefore claim 5 and all claims dependent from claim 5 are not to be considered prior art. 25 Further our reactors can start in a complete immobile set-up without any triggering system, and is able to self-generate plasma's. Mills' system is not fit for such.

In the description – but not in the claims - of WO 02/05292 A2 , Yensen 30 describes a apparatus and assembly for heating and compression of plasma, ions, to overcome the Coulomb repulsion) and to fuse into heavier element(s), and describes that this can be realized by the use of a plasma generator, a pump to circulate fluid, a plasma separator (14 and 22 of Fig. 1), etc. Pag 13, Line 39 – 43 explains that a starting 35 temperature of 25,273 K is needed! The fluid (Mercury or an electrically conductive fluid) is essential because – Yensen assumes - it will hold the plasma "bubbles" (from 2mm to 10 mm diameter) which are later compressed. Further it is important to notice that the ionization doesn't happens in a reactor but in a pre-preparatory set-up the whole patent 40 application does not mention fission, since the object is to create heavier element(s). However, in none of the broad independent claims the apparatus (itself) is described, where the claims should "claim" at least one embodiment or assembly.

45 There is no resemblance of all of that patent application with ours.

US 4,428,193 (Papp) describes a very complex mechanical apparatus using compression caused by mechanical piston(s) (claim 1, §2) and a plurality of coils to create magnetic fields, and other means like filters, ray tubes, a polarizer, ionizers, supplies for electrical current to ionizing 50 means, etc. This apparatus or engine through heat excites adjacent helium to create a plasma (Column 11, line 53 – line 54). Papp isolates

the helium first by other layers, and secondly from the walls by the use of a modest vacuum caused by coils and by the movement of the piston. In column 13, line 5 - 7 Papp describes his way how the gasses are caused to circulate in the cylinder by the change of polarity of the coils, our way is different since no coils are claimed. To Papp this is essential, so this is no prior art. Further Papp describes in column 13, line 25 - 27 that he needs to energize the top and bottom coil to produce two separate fields, where no coils are used in our approach. In our case the separation between layers of inert gasses - in the case where we use rotating reactors - is mainly provoked by self-generation of plasmatic magnetic energy fields between those layers or by introducing small amounts of specific materials, like atomic metallic vapour, between the layers of inert gasses which enhance the plasmatic magnetic energy fields.

The Papp concept is totally different from our reactors, since in our reactors the introduced materials already create initial plasma('s) by themselves - like by self-generating radioactive isotopes - or by triggering separate radioactive source(s) in the reactor or in the introduced materials.

In US 2003/0002611 A1 (Greatbatch) claim 1 described an electrostatic fusion reactor with a potential well, which is surrounded by one or more collector cages. Paragraph 15 specifies clearly that this reactor is especially adapted for  $^3\text{He}$  reactions, and includes two concentric high-voltage spherical grids, where the outer grids is grounded and the inner grid can held at a high negative DC voltage. Paragraph 18 specifies that the "potential well" is formed by either a spherical grid anode or a virtual anode, and cages are added around the well to "slow down the speeding protons". Paragraph 24 specifies that the grid is made by wire material (like tungsten), and paragraph 26 explains that the reactor output energy is in the form of high-velocity protons, that must be converted in electrons by a cage. We do not use cages, nor grids. Paragraph 32 points out that an outside voltage source of  $-200\text{Kv}$  is needed which is lead to the center, which is not in our case since we don't use an initial electrical source in the center of the reactor. Since paragraph 57 refers to totally different concept it is not to be considered prior art, even other materials then  $^3\text{He}$  could be implemented. Independent claims 1, 11 and 12 all mention either a grid and/or a potential well, which are not used in our system(s), therefore also all dependent claims are not relevant.

In US 4,831,627 of J.L. Campbell uses fixed magnets to create magnetic fields, where in our approach internal interaction processes of the materials create the plasmatic magnetic fields, which themselves lead to further processes of fusion, fission and fusion/fission (called semi-fusion). Our materials don't need to be "injected" like in Campbell's patent but can enter the reactor embodiment by non-pressurized ports. Campbell claims in claim 1 and 12 to use "gas molecules" thus combined atoms. If we use gasses, these are at atomic level. His claim 1 (d) clearly identifies that the cause of colliding are magnetic fields created by said annular magnet - which is positioned on the walls - and by said magnetic means. In our approach the elements inside the reactor create plasmatic magnetic fields themselves due to their interactions between themselves due to the use

of principles like scintillation and ionization and creation of independent magnetic fields, which never has been achieved in prior art, neither has even been mentioned. We have proven this principle of self-generation of PMEF in our static and dynamic prototype cores (Image cola bottle reactor). In a simple cola bottle we show the origin of creation of energy through creation of plasma where – as Fig 12 and 13 shows - power is generated in the plasma, demonstrated by two electrodes that are totally in the pure plasmatic environment (above the liquid). At the same time we demonstrate in the same core that energy is created primly through ionization at the atomic level, at room temperature and normal atmospheric pressure, which has never been achieved in prior art. Where the process for the creation of atomic hydrogen necessary for ionization and matters needed for production of magnetic fields are done through a continuous process of fusion, fission and what we call a semi-fusion state. However in dependent claims we disclose that additionally we can add a number of technical features which will enhance the outcome, or speed up the process.

To fully understand our approach it is important to grasp the difference between normal magnetic fields (NMF) and plasmatic magnetic energy fields (PMEF). A PMEF can be defined as the magnetic energy which is already possessed by the plasma and it is inherent in the construction of any atom. All atoms are collections of specific entangled plasmatic magnetic fields (SEPMAF), thus all atoms and molecules also posses SEPMAF's, and have more complex combinations of such PMEF. Also electrons are SEPMAF's , but certain other SEPMAF's can have identical of similar magnetic energy strength to electrons without being electrons themselves. The consequence of this is, in example, that when two nuclei approach each other, a fragment of their PMEF be released and such smaller PMEF can reposition and act as being an electron.

Some interesting remarks are made by Nobel Prize laureate Wilczek related to the strange background processes in the quantum mechanical concepts. To Wilzcek (arXiv:physics/0511067-v2, dd 11 Nov 2005) "In modern quantum mechanics, an electron is no longer described as a particle in orbit. Rather, it is described by a vibrating wave pattern in all space ... In Schrödinger's account light is emitted or absorbed when the electron's vibrations set the electromagnetic field – aether, if you like – in motion, by the same sort of sympathetic vibration that leads to the emission of sound by musical instruments, when their vibrations set air in motion. These regular, continuous processes replace the mysterious "quantum jumps" from one orbit to another that were assumed, but not explained, in Bohr's model. ... So the notion of using protons and neutrons as elementary building blocks, bound together by forces you would just go ahead and measure, became untenable." And: "Asymptotic freedom says that an energetic quark (or antiquark or gluon) will frequently emit soft radiation, which does not significantly change the overall flow of energy and momentum; but only rarely emit hard radiation, which does produce changes in the flow." And: "We know from many experiments that electrons and positrons have no significant internal

structure, so there's no question that when we make these collisions we really are doing the same thing over and over again.", and further: "...what we perceive as empty space is in reality a highly structured and vibrant dynamical medium.

5

Where Wilczek claims that protons and neutrons are composed of quarks and gluons, in our almost similar understanding, we see there several complex SEPMAF's which PMEAF's are loose interlocked, and thus where the energy generated by the plasma is much greater than energy provoked by much smaller electrons, hence a more powerful energy source magnetic field can be attained from the dynamic plasma. This is the method behind our simple power production in the reactors where we use plasma at room temperature and room pressure. Then creating ionization and vast amount of energy is possible without needing to have in advance vast amount of energy to create ionization.

10

15

Related to the generation of energy, the interaction of two such PMEAF will lead to the release of fragmentation in the form of smaller PMEAF, where the accumulated energies from these fragmentations can reach the energy level equal to the energy of electron charge (13.2 eV), but not being an electron itself, which the motion of these electric charges within the dynamic core once extracted through the walls or through electrodes from the embodiment, can lead to generation of current. In the Fig. 14 we show in a graph the outcome and this accumulation in mV and mA between several electrode of a cola-bottle reactor.

20

25

In relation to the production of matter, by introducing in the reactor embodiment specific materials, be it gasses, matters or plasma's – which all have their specific PMEAF's, one or both PMEAF of an element will have a passive or active effect on other PMEAF's in the reactor. So that they can attract and/or repel away from their position. For them to create a temporary state of fission of atoms from their combined atomic structure – with or without a use of a additional plasmatic magnetic energy source – and for a condition to be created in the reactor embodiment for atoms to create a state of cold fusion condition, for the matter to absorb energy in a plasmatic magnetic level for it to create a temporary semi-fusion state for the atom for it be able to reconstruct itself in atomic level and to be relocated individually or as a collection of atoms or as a atomic layer on a given predetermined position. Where the energy for diffusion is through additional source allowing the liberation of the atom or diffusion of matter in atomic level, leading to liberation of matter in atomic level.

30

35

40

Evidence for this is given in static prototypes like the cola bottle reactor where separation at atomic level happens, at room temperature and normal atmospheric pressure, where these dynamic released atomic matters can lead to creation of energy in electrovolt levels. By the appropriate choice of materials, where the conditions through creation of vacuum and scintillation by the use of radioactive source(s) and inert gasses, will lead to the creation and release of EUV waves, which in

45

interaction with the hydrogen created through semi-fusion condition process, will lead to creation of positively charged plasma – which is dynamic -, which in turn this with interaction with the metallic or semi-metallic materials in the atomic and molecular level, or the atomic metallic conditions, in plasma within the core will create the necessary plasmatic magnetic field within any confined position within the core. Where the interaction of such two fields will be created at the atomic or molecular level, which although these could be of the similar magnetic field strength, and partitioned within the core, where due to the physical partition and dynamic characteristics of the core, the unattainable interlocking of the two PME will create the condition for the rotation of the partition wall between the two fields, which this rotation of the partition wall will guarantee the centrifugal or rotative condition, necessary for the materials on both side of the partition wall in maintaining dynamic rotative characteristics of both PMEFs, which in turn guarantees the creation and control of both of the MPEF on both sides of the partition wall, which the interaction between these two fields will lead to the creation of a superimposed double magnetic field method necessary for the creation of gravitational and spherical magnetic field around the reactor embodiment

Where in specific conditions one single dynamic plasmatic magnetic energy field will be sufficient to create gravitational and anti-gravitational conditions necessary for motion in respect to a second independent outside gravitational magnetic field force. Between both will be then a double attractive and repulsive relationship, and depending from programmable positioning one will be stronger than the other. We explain how to release an atom by using matter in conjunction with any type of radioactive materials for the creation of positive plasma ionization, where by the motion of the charged matter within a metallic or semi-metallic matter, or within imposed atomic metallic conditions we create the essential magnetic field conditions necessary for the creation of gravity.

An other aspect are mediators and the facilitators among said materials, where the mediators are the elements which allow the facilitators to reach, be kept, be available or to be transported to and/or at a certain point in the core, where the facilitators can deliver their energy or carry out their functions in that specific point or area, and where the facilitators are the particles, plasma's, atoms and molecules which carry or can absorb or can deliver the release of plasmatic magnetic field of materials within the confinement of the said embodiment, where the fascillators are the materials which accommodate the transfer of energy between the recipient and/or the donor plasmatic magnetic energies, which are/can be used within the system.

In the light of the above mentioned approach and collected evidence we claim three methods.



The first method consist to produce energy and gravitational fields in a reactor, which comprises of:

- a. sustainable wall means;
- b. at least one chamber that can be sealed;
- 5 c. port means for introducing materials in said chamber and for retrieving materials from said chamber; (after the introduction of said materials or able to add and/or retrieve materials during or after the processing);
- d. sealing means for the closing of said chamber, and which contains
- 10 e. said materials from which at least one sub-quantity being radioactive and/or being able to be transformed in a radioactive isotope during the internal process;
- f. said materials from which at least one sub-quantity being an inert gas and/or being able to be transformed in an inert gas or in inert gas vapour during the internal process;
- 15 g. said materials from which at least one sub-quantity being a atomic or molecular metallic material and/or being able to be transformed in a atomic or molecular metallic material, in metallic gas or in metallic vapour during the internal process;
- 20 h. said materials from which at least one sub-quantity is hydrogen and/or being able to be transformed in a atomic or molecular hydrogen, in during the internal process, and

where upon the sealing of said chamber said materials, preferable in conjunction with the matters of said wall, start a controllable interaction process of repositioning the plasmatic magnetic energy fields of the introduced elements, where a number of the dynamic actions between them lead to the creation of new plasmatic magnetic energy fields, like in atomic, plasmatic and molecular level, where the interaction between at least two of them simultaneously lead to the fragmentation of existing plasmatic energy fields, leading to creation of current and energy from the reactor, and where from these fragmentations can be collected useful energy output, and where the interaction these fields with the core plasmatic magnetic energy fields can lead to the creation of at least two superimposed plasmatic magnetic energy fields which will cause the gravitational effects within and/or around said reactor, which this leads to the creation and control of gravitational (positive or negative in respect to a given or a reference gravitational field) and magnetospheric field forces.

The second method is to produce, in and around the embodiment of a reactor, a gravitational and/or anti-gravitational effect, where applying such effect will lead to be able to process matters in a new way, namely at atomic level, and at room temperature and normal pressure, or able to change positions of matters in respect to each other, which can be used in all where by the use of a semi-fusion (fusion/fission combination) chain of events, certain matters within said reactor are brought into a location to interact with each other, where the outcome of these interactions will create dynamic plasmatic magnetic energy fields (PMEF), where upon the interaction of at least two such PMEF in respect to each other, a fluid dynamic plasmatic repulsion and attraction field will be created (according to the principle of simultaneous attraction and repulsion of two similar and

- two dissimilar polarities), which the outcome of the interaction of the two dynamic fields, will lead to creation of double (superimposed) plasmatic magnetic energy fields, which are loosely interlocked spherically one on top of the other, creating a combined PMEF which one effect will be the gravitational and second effect will be the magnetic field effect around and within said embodiment, which this combined PMEF, is itself due to the principle of loose dynamic magnetic realignment at atomic and molecular level, will create the gravitational and spherical magnetic fields, within and the surrounding environment of the embodiment of the reactor, where these two created magnetic fields are created independently and separated from each other within said embodiment by means of a physical partition, where this partition can be made of any physical tangible barrier (like a wall) or could of plasmatic or liquid origin, or could be by the creation of two simply indifferential magnetic field strength as a separation barrier, where said reactor embodiment comprising:
- a. sustainable wall means;
  - b. at least one chamber that can be sealed;
  - c. port means for introducing materials in said chamber and for retrieving materials from said chamber; (after the introduction of said materials or able to add and/or retrieve materials during or after the processing);
  - d. sealing means for the closing of said chamber, and which contains
  - e. said materials from which at least one sub-quantity being radioactive and/or being able to be transformed in a radioactive isotope during the internal process;
  - f. said materials from which at least one sub-quantity being an inert gas and/or being able to be transformed in an inert gas or in inert gas vapour during the internal process;
  - g. said materials from which at least one sub-quantity being a atomic or molecular metallic material and/or being able to be transformed in a atomic or molecular metallic material, in metallic gas or in metallic vapour during the internal process;
  - h. said materials from which at least one sub-quantity is hydrogen and/or being able to be transformed in a atomic or molecular hydrogen, in during the internal process, and
- where upon the sealing of said chamber said materials, preferable in conjunction with the matters of said wall, the initial controllable interaction process starts;
- where said initial process is enhanced by (external) (internal) motion means of said reactor.
- The third method consists to create a gravitational producing system and related processes by the use of fusion, semi-fusion, ionization, and/or fission of materials within the confined reactor-embodiment, by the correct combination and association between the materials within the embodiment, where by the release of plasmatic magnetic energy created by the interaction of different materials and dynamic turbulent conditions of these materials and a radioactive source placed in the core can leading to the production of dynamic plasmatic magnetic fields within the

- embodiment, where upon at least two such fields interaction with each other, in the same core or in different locations or superimposed on top of each other, leading to creation of an interlocking double magnetic field, behaving as a whole as a gravitational field system, where by principle of attraction and repulsion of two similar and dissimilar magnetic polarities, a combined fluid plasmatic magnetic field within and/or in the vicinity of the two fields within the reactor is created or within it's surrounding environment is created, which this creates the condition for availability of applicable gravitational field force for the reactor, where this newly created gravitational field can determine the position of the embodiment in respect to other gravitational fields which are created by other gravitational systems, within the vicinity of the reactor-embodiment, where this gravitational field force could be varied according to the strength of any of the two plasmatic magnetic energy fields which have created it, where this can be used for directional positioning and directional movement of the core embodiment within it's surrounding, where the separation of the two magnetic field could be created by the method of creation of different magnetic field densities in respect to each other or by placement of a physical separation wall which could be gas, liquid, solid or any other combination, and where said reactor will have:
- i. sustainable wall means;
  - j. at least one chamber that can be sealed;
  - k. port means for introducing materials in said chamber and for retrieving materials from said chamber; (after the introduction of said materials or able to add and/or retrieve materials during or after the processing);
  - l. sealing means for the closing of said chamber, and which contains
  - m. said materials from which at least one sub-quantity being radioactive and/or being able to be transformed in a radioactive isotope during the internal process;
  - n. said materials from which at least one sub-quantity being an inert gas and/or being able to be transformed in an inert gas or in inert gas vapour during the internal process;
  - o. said materials from which at least one sub-quantity being a atomic or molecular metallic material and/or being able to be transformed in a atomic or molecular metallic material, in metallic gas or in metallic vapour during the internal process;
  - p. said materials from which at least one sub-quantity is hydrogen and/or being able to be transformed in a atomic or molecular hydrogen, in during the internal process, and
- where upon the sealing of said chamber said materials, preferable in conjunction with the matters of said wall, the initial controllable interaction process starts;
- where said initial process is enhanced by external and/or internal motion means of said reactor.
- One of the methods which is claimed in this patent application is such that - under centrifugal and vacuum conditions - a turbulence, rotation, compressive and heating of a gaseous matter is created in a reactor by at

least one central rotative magnetic field with the purpose of creating additional plasmatic conditions leading to various physical phenomena.

5 However above is described that the materials in the reactor will create already a initial process. The presence of radioactive materials in the wall, on the wall, on the central column, on a electrode, in the liquid, as separate source, all these can provide conditions to start the initial process.

10 We claim also a method where - under centrifugal and vacuum conditions in presence of ionization condition - a turbulence, rotation, compressive and heating of a gaseous matter is created in a reactor by at least one central rotative magnetic field with the purpose of creating plasmatic conditions leading to the creation various magnetic fields where at least  
15 the interaction of two magnetic field would lead to the creation of at least one gravitational force phenomena.

20 In this patent-application we disclose a concept, method and technology for more efficient and higher, electric energy levels as well as creation of gravity and anti-gravity within a center of an object or a matter that can be created at a relatively very low cost.

25 It is important to understand that we see an analogy with the planetary concept and positioning of planets in our solar system. The Earth and all planets and stars possess a centrally heated core. The creation and maintenance of the heat and motion is not in the level and method which scientist have chosen for motion and energy technological progress up to this moment in time. Planets possess and maintain heat, magnetic forces and gravity through one integrated system with mostly one common  
30 element as the source of the energy. In the center of planets the temperature acquired is more like in thousands of degrees centigrade rather than millions of degrees as in stars. But all the same, all effects in creating heat, magnetism and gravity can be achieved at all temperatures. It is to be proven through the design of the reactor in this  
35 patent that the strength of magnetic field and gravity of these planets is more dependent on the composition of the material and the speed of motion in the center core of the planet, rather then the size or any other factors in the planet or the star internal structure. In the universe vast amount of heat are not suddenly produced and presented in one instance  
40 for fusion to takes place for systems and stars to be created. There are laws and procedures to follow to succeed in achieving a large or a small system in the universe.

45 These laws have to be followed to the letter in the design of any system or reactor for creation of heat, magnetic forces fields and subsequent gravitational forces field and so on, for a system to be successful and operational. Planets and stars using the natural laws of physic and materials do all these, all at once and together without separate machinery and control rooms and fuels. They do this as one fully  
50 integrated system. Thus for the first time in the world of technology and intellect, in and by the design of this reactor, fundamental principals are

set out and developed to show how all these above effects and many more could be very simply attained. All at the same time and as in a natural universal manner in one fully integrate system.

5 This is explained very explicitly in the annex that is joined to this patent application. That annex is integral part of this patent application, and may help the reader to better analyze and understand the concepts and ideas about our new reactors and their functioning.

10 The invention relates to a gravity producing system, method, concept and technology whereby in a reactor (10) a chain of energetic events is created via a rotative magnetic (17A), initiation of a basic ionization of a gas (i.e. hydrogen 18A) or other matters, which then triggers a controllable chain of energy transfers (so called Scintillation) to the next following layer(s) of introduced gasses (i.e. He 18B, Ne 18C, Ar 18D, Kr, 15 Xe 18E), of all other introduced elements of the periodic table (i.e. Li, Be, K, Ca, Ti, ... Pt, etc.) and/or their introduced molecule combinations (i.e. a vapor).

20 Without scintillation in a low density, low volume ration of atomic hydrogen environment of galaxies, the process of ionisation will not take place, that the rest of the chain of events for the creation of any system or galaxy can take is initiated. Scintillation is the ignition key for start of creation of any system in the universe.

25 All inert gases in conjunction with different materials and conditions in the cores can be used for or as scintillation material in the core of the reactors.

30 The use of liquid helium and neon and other inert gases as scintillators is the essential ingredient of the operation of any system that needs to generate heat, power and gravity. Helium and neon have no unstable naturally occurring isotopes, therefore any inherent radioactive backgrounds. That is why these are good source for creation of the extreme ultraviolet ray catalyst source needed for initial ionisation of 35 hydrogen atoms to start the heating of gases and plasma in the caroline core.

40 In galaxies the ultraviolet photons from reminisce of the explosion of stars have sufficient energy to strip the electrons completely away from hydrogen atoms and ionised hydrogen atoms. When and if the atom of hydrogen absorbs a photon with wavelength of 912Å .the atom is ionised with the extra energy going in to kinetic energy of the electron. This requires a photon energy greater then 13.6 eV or wavelength of 912 Å in the ultraviolet region.

45 Collision between electrons "thermalise" their energy, this energy heating the gas in the region to higher temperatures.

50 Theoretical models of the installer cloud are providing new insights into the role of extreme ultraviolet rays and soft X-ray photoelectric heating, as

well as thermal conductive interfaces, in explaining the observed high ratios of hydrogen HI at very low pressures. These indicating not the need for the use of ionised Hydrogen but natural hydrogen in the process of heating up a gas to Plasma State.

5

At the present most considerations are given to use of ionised hydrogen and its relation with extreme ultraviolet rays emissions. Recent research and findings allows the endeavour to new territory of reverse state of condition. Where it has been observed in the galaxies that ground state hydrogen receiving energy photons in the extreme ultraviolet rays range would and is excited to be ionised. Then by returning to ground state through catalyses it can be used to release this energy to heat up the surrounding gas to heated Plasma State.

10

15

This opening a new approach into development of systems where not ionised but natural hydrogen and atomic hydrogen can be used to generate energy and currents, by using extreme ultraviolet rays rather than ultraviolet rays to create the ionisation.

20

This new understanding allows low temperature operation and less energy input for the higher energy out put, allowing operation in the non-nuclear environment.

25

These being due to the fact as natural hydrogen is used, there are no possibility of emission above extreme ultraviolet rays by the hydrogen atoms, as an atom can not emit more then it has absorbed. That is as the extreme ultraviolet rays energy absorbed by natural hydrogen atom, this atom to return to ground state can only release energies below extreme ultraviolet rays, at the same time releasing sufficient energy and free electrons that can be useful in a system. For this reason the need for new ignition system using extreme ultraviolet rays for hydrogen rather than ionisation by ultraviolet rays microwave can be considered.

30

35

By passing liquid helium over Alpha or Beta source to generate the extreme ultraviolet rays, Thorindike in late 1950th discovered liquid-helium scintillation. Stockton later showed the emission of very intense wavelength range in the extreme ultraviolet ray's spectrum is centered at about 80 nm. Adams confirmed the transparency of liquid helium to its own scintillation light reason for the intensity of the photons.

40

45

Scintillation of the liquid helium by can be achieved through use of Alpha or a beta radiation source, where the use of Alpha or Beta source excitation in liquid helium determines the density of the ionisation. Adams calculated that, energy deposited by Beta particles in super fluid helium are emitted promptly as extreme ultraviolet rays light, and is considered to be as much as 35% of total energy released by the fluid.

50

The initial stage in the process of heating all the elements in the core of a reactor has to be the ionisation of atoms of hydrogen in the center core (called Caroline core) by using extreme ultraviolet rays, carried by

compressed liquid helium into the core, which has been exposed to radioactive source prior to entry in to the center (caroline) core.

5 This method of ionisation of hydrogen atoms has been observed in the galaxies, therefore it should be easy to achieve the same in reactor environment under the right condition. The extreme ultraviolet rays in vacuum condition cause prompt and direct photoionization of hydrogen. Where as lower energy photon causes a combination of fragmentation and delay thermionic ionisation. Thus use of extreme ultraviolet ray is the fast and direct way to start the reactor from cold.

10 The right choice of radioactive element for production of extreme ultraviolet rays in presence of liquid helium or neon is important. With the correct selection, the possibility that liquid helium will carry any gamma ray energy level radiation into the core of the reactor can totally be eliminated. Therefore the choice irradiation source for scintillation will have direct effect on different combination and the amount of gases used in the Caroline core.

15 Use of neutron traps facilities, in the outlet of irradiated chamber of the scintillation unit can make sure no neutrons can enter the caroline core, that can create high energy rays in the core, that can create radioactive chain of events of releasing X-rays or higher level energy rays with the interaction with other materials in the caroline core.

20 The reactor has at least one (26) or more (27) spaces (i.e. cavities 11, layers, sub-chambers). This is very important to understand. 26 and 27 show two different approaches. 26 shows a reactor which has one chamber and inside will be – in the pure gaseous concept – several layers of inert gasses (or other matters or a mixture of gasses and matter). These layers are formed in the reactor chamber by the centrifugal and vacuum conditions according to their the atomic weight. Since the layers have a different rotational speed there will be kinetical, magnetic and other effects in the inter-layer regions. 27 shows instead a reactor concept where there is a real physical wall (i.e. steel wall, liquid substance, varying energy strength matters) in the reactor which separates two zones inside the reactor, and each may have it's own internal process(es) and specific layer ordering. The magnetic fields in both will interfere with each other in a controlled way. This physical wall may be dynamical too, meaning to be opened under certain secured conditions for various reasons or the separated area's may interchange matter or plasma – by connection means - if that is appropriate in the processing.

25 The concept of creation of energy for this reactor is on the bases of the understanding of cooperation, interaction and application of the atomic structure of the plasma, gases, liquid and solid of all matters known in the world of science.

The principal of the behaviour of these in a vacuum and centrifuge environment has been studied and catalogued in detail over past decades.

- 5 It is paramount to understand that gases in a vacuum environment for their containment behave very much like liquid and the two can switch state. With one element changing properties at the same time in the same system by slight change of temperature or pressure within the core of the reactor. This holds the same between the liquid and solid state too.
- 10 If the behaviour of a drop of water in space and the way they float in vacuum condition are observed, gases behave the same in the vacuum too, they stay in cluster but take over the whole of the space of their containment.
- 15 From past research it is understood that gases in a vacuum and centrifuged encapsulate each other according to their atomic weight, from the lighter gases in the center of the cluster and the heaviest on the outer layers.
- 20 This means that neon will encapsulate helium and heavier gas will encapsulate the neon and so on.
- 25 The second important principal for inert gas laws is that they do not mix with each other in a vacume and centrifuges condition.
- 30 This factor will play an important part in the development of any energy system, which has to be portable and light. But at the same time flexible, energetic and functional able for it to be used for its merit in any system, this being for power production, gravity, anti gravity, shielding and medical use and so forth.
- 35 For this system to be able to take advantage of above criterion it is important to have Hydrogen in atomic, molecular, its isotopes and ionised form are the primary element in production of initial heating of the reactor core, as it is done in the cosmos.
- 40 Hydrogen gas in atomic and molecular level has some versatile properties, that if they are used for the right purpose at the right time in the right combination, this element will provide and facilitates most the needs of systems energy creation requirement for all applications.
- 45 In this patent, systems are developed, that makes it possible for the first time, does not matter in what form hydrogen is made available in a core of system, primary condition can be created in the core of the vacuum, centrifuge chamber, that brings about the desired effect in any system to create the initial heat for the onset of chain of events, that will lead on to creation of heat in vast amount, electric current in predetermined large quantities, single magnetic field condition in molecular level in and around
- 50 the core of the reactor, creation of double magnetic field in the molecular level, which the interaction of two magnetic fields will lead to creation and



control of gravity in the center of a system for the first time "Creation of Gravity" M T Keshe.

- 5 When Hydrogen is used in conjunction with other elements, hydrogen has the properties of being easy to be ionised by any source that can deliver a 13.6 eV of energy to achieve the ionisation of its atom. At the same time hydrogen has the capability to release this attained energy to a third elements in its neighbourhood and return to the ground state rapidly through this interaction with this third matter.
- 10 How ionisation and release of energy are created and used are the principals behind the design of this reactor for the creation of energy, magnetic effect and gravitational forces.
- 15 Then as other elements are introduced into the core of the reactor, then the true nature of the hydrogen will revile its potency in this system as a whole. Where, how and how much, when and the way all elements are introduced or applied in this system cores will create the desire effect that is required of the system as the whole at that time.
- 20 So that the system can be power generator, then with slight change in one of the parameters of one of the gases or introduction of other elements the system will become a gravity machine. Then maybe by combining the two effects. One will have a system that not only generates energy but it holds gravity and creates anti gravity too.
- 25 Thus for matter of simplicity in this disclosure the simplest forms of the energy and gravity system will be discussed and disclosed.
- 30 In this patent application we name the central area of the total reactor the central core (or caroline core) and the outside area the outer core. So several layers of matter or plasma may be possible wise separated by a solid (14A) or by a gaseous (14B) or by an other state layering matter.
- 35 By the chain of inter-layer transfers several other physical phenomena are caused, such as:
1. Compression and decompression inside the reactor chamber,
  2. Rotation of the matter inside the reactor chamber,
  3. the interaction of two magnetic fields (20 and 21) in the center core of the reactor,
  4. the creation and development of heat (40) due to ionization in a soft or hard magnetic fields and their reconnection(s) by the matters in the center core (also called caroline core (13, 28A, 28C) and the magnetic field in turn created in the outer core(s) (12, 28B, 28D) in the reactor chamber (11),
  - 45 5. magnetosphere effects (22) of the two magnetic fields of the center core, and the magnetic field of the outer core,
  6. the emission of rays up to Ultra Violet for heating up the materials in the core(s) or plasma's,

7. the creation and convection motion (71, 81) for creation of current (80, 82) and the single and double magnetic fields which create the fundamental cyclic transformation /retransformation of the gas and/or matter involved from ground-state to excitation-state(s),

5

The interaction between the two magnetic fields, of at least two cores, leads to the creation of gravity and anti-gravity due the creation of the double spherical or other shaped superimposed magnetic fields (20 and 21, 30). This will cause the rotation (50) of the containment vessel(s) (see all 18) of the caroline core, and the rotation of the inner core (84) will cause the rotation in at least one central column in at least one chamber.

10

That central column (16A) may have several designs in relation to the reactor chamber, the desired functioning depending of the type of reactor and it's purpose of design, and may:

15

1. Either turn completely, powered by a power source (15F) that is positioned outside the chamber,
2. Either from which only at least one part with magnetic means turns, i.e. the tip-part (51)(in the center of the chamber),
- 20 3. Either from which only a part with topological means turns, i.e. at least one mixing blade (in the center of the chamber), possible wise covered with at least one scintillating material (16E) unit (15C), or i.e. a spinning ejection mouth,
- 25 4. Either is completely immobile (fixed)(Fig. 9) but which has on it's surface at least one set of electro-magnets (90) and/or coils which can be activated (92A) or deactivated (92D) – possible wise controlled by electronic means (i.e. a microchip 93 ) - in a preferred periodical and/or positional way, which - preferable - can change polarity and/or strength (92A, 92B, 92C), that way able to create turbulence in the
- 30 5. Either is completely immobile (fixed) but by which the basic gas and/or matter is pumped in a core by at least one ejection mouth, (called the statistic reactor),
- 35 6. Either has at least one symmetrical or asymmetrical channel in it's tip which can pump gas(ses) from one side to the other,
7. A combination of previous,

The central column (16A) has possible wise - but very preferable - at least one internal channel (16D) (i.e. a borehole 16B) for the distribution and/or collection of relevant gas(ses), matter and/or plasma (23).

40

The central column possible wise can have at least one electrode (17B) - but very preferable several – to collect electric current for transportation (17C) to the outside of the reactor. This way the currents can be collected for several purposes.

45

The central column can have – depending from the type of reactor (i.e. 14A, 14B) and corresponding to the type of gas, matter or plasma - one or more injection-mouths on different levels, each for another type of gas,

matter and/or plasma, preferable on a height that corresponds with the layering position that this gas or matter will have after its atomic weight and/or the purpose of the injected plasma or matters.

- 5 The reactor (10) comprises a body (24) that can be made of any natural or man-made material or several materials, or in atomic or molecular state - at least made of one part - in which at least one hollow space (11) is positioned, and whereby all relevant parts (i.e. the wall 25) - if needed to be protected (i.e. coated, laminated, painted, etc.) in well known manners  
10 against corrosion, aggressive acids, etc.

At the outside of the reactor (10) a number of relevant supporting systems are positioned, such as: pressure-tanks (15A), reverse tanks (15B), turbo  
15 molecular pump (15E), gas seals, scintillation unit(s)(15C), electrical brushes (15D), heat removal chamber, valves, pumps, tubes, closing means, measuring means, control sensors, engine(s)(15F), gears, power-source, electrical components (i.e. fuse), computer(s), IC's, etc.

20 After the initial mechanical rotation (i.e. at 3,000 rpm) and/or electromagnetic triggered rotation the internal rotation (50) will be continued due to the interaction of the magnetic fields involved (self-sustained process), in correspondence with one of more core-layers and their containment.

25 Possible wise one of the reactor concepts may have one of more of next specifics:

- a. The central column may be mechanically withdrawn (52) if the internal  
30 interaction goes after wish, and can be repositioned inside the chamber if there is a need to collect current, to add new gas(es), matter and/or plasma, and/or to adapt or correct the balance of the lower or higher volume-ratio of the matter and density.
- b. In another concept or a combined concept the central column will  
35 have on his tip (53)(central position) at least two magnetic means (54) of different pole, but preferable several sets which can be ring wise or polarity faced wise and sized positioned above or next to each other, and on the top of the column tip one magnet, either in polarity strips (95) or as a single body.
- 40 c. The central column may be treated at the inside and/or outside surface by radioactive material (16E)(i.e. liquid, solid or a spray), or materials which can radioactively decay, or by fixed methods of scintillation like microwave lamps.
- 45 d. A reactor may have more than one column, one (91) with its tip positioned in the center area, and at least one (94) with its tip on a different level, but separated from each other.

- e. At least two central columns (fig.7) may be positioned opposite to each other, either creating a similar rotational effect, either creating a conflicting rotational direction.
- 5 f. The reactor body contains at least two separate hollow spaces of identical or different dimensions,
- g. The reactor body may contains at least two separate material cores (i.e. by a wall-layer 14A), a larger encircling a smaller, and each may have a proper internal independent process, and magnetic  
10 interactions may occur between their magnetic fields, and matters may be exchanged between physically separated chambers (28C and 28D) by connection means (58).
- h. The reactor can be connected by connection means with at least one  
15 other reactor, either of a different type, dimension, concept, either identical.
- i. In an external container (15C) – outside the chamber - at least one scintillating unit (i.e. made of partially of Cs137) is available which will have a normal radioactive behavior or his natural decay inside or  
20 outside the chamber.
- j. A reactor may have either a solid structure (10), either a dynamical structure and being able to adapt it's structure after, (i.e. the internal pressure and temperature), and being secured by magnetic seals (16C) and/or fields.  
25
- k. A reactor core can have also several overall shapes, such as: perfect spherical, elliptic, half-circular, etc.  
30
- l. The reactor wall (25) and/or material core wall (29B) can have also locally or overall several topological shapes, skins and/or furnishings, such as: perfect smooth, dimpled, grooved, triangled, etc. Such surface properties may add additional effects on the internal  
35 process(es).
- m. A material core (29B) can also be surrounded by conductive wires (i.e. copper) or bands, or similar, which can create additional Alternating Current, which can be superimposed on the Direct  
40 Current(s) which are created within the core.

45 Above mentioned reactor concepts, method and technology results in a completely new type of dynamic energy-source and energy concept which also implies the control over local gravity. This brings a large number of new products and applications. These are also described in the annex document, which is part of this invention.

One of the most important results is the creation of gravity and anti-gravity. We see a number of applications next.

5 Next the creation of internal heat source leading to creation and the interaction of two or more magnetic fields, leading to creation of gravity, shielding and current production in alternating or direct or electrovolts levels, can be used in applications for space, aircraft, and submarine, sea-bottom habitat, liquid habitat (like in a container tank or for nano technology in blood vessels), colonisation crafts and colonisation systems (i.e. cocooned atmosphere conditions on a sea bed, beneath surface or on surfaces).  
10 The same can also be created by at least one extra layer with a magnetic field rotating in opposite direction to at least one other magnetic field, within at least one core or outside the boundary of the system, creating in example a impenetrable field and useful for reentry or exit of atmospheric conditions, or for laser-like effects of co-existing magnetic fields (i.e. surgery, cutting tools and long-distance communication).  
15

The production of energy via soft fusion (i.e. cold and warm fusion) is a major application.  
20

The production of plasma due the creation of gravity at molecular level between two magnetic fields (41, 42)(62, 63) of two cavities or more in a system for creation high temperature plasma in fusion industries (40) is very important.  
25

New concepts of batteries, lighting devices (i.e. transparent reactor-housing, light-bulb, floor light, wall light and flood-light, etc.), security products (i.e. traffic lights, sensors, water purifiers, etc.) and industrial and household devices and apertures, like water-production machines become possible.  
30

Also heating and drying devices, the use of energy production capabilities for creating heating like warming the surrounding matters, like in boilers and heaters in the house for central heating systems or individual heating systems, and warm blanketing, using as boiler for warming up or boiling matters like liquids and malting solid materials, for use as drying system like hair dryers for industrial or commercial drying system, or heating oven, or stove or cookers in the house appliances, or grilling of food appliances for private or commercial or industrial use. Other application can be i.e. the heating of the roads in winter, the soils for plant growth, etc.  
35  
40

New cooling devices can be constructed due the reverse gravity magnetic field\_generation system(s), where the system will absorb heat from its surrounding, to cool its surrounding for use in the air-conditioning for buildings and cars, and crafts or any object which can carry any other object, refrigeration systems of any kind , production of ice or frozen state of any material or matter.  
45

5 The production of new materials in and outside the reactor chamber under specific magnetic and/or gravitational conditions (i.e. directional nano growth, the welding of atoms and molecules, etc.) becomes possible. A number of processes related to atom creation become possible, such as for human or animal or plant cells, where the micro gravitational field in presence of magnetic fields in one or more magnetic fields created in the center of the one or more cavities will allow magnetic fields above dark magnetic levels to manifest themselves and cluster together to create the nucleolus of the atom and in use of multi layering, then the electrons are allowed to manifest themselves, and these processes can be continued for leading to production of molecules, and base material for the DNA, where specific energies or magnetic fields are inserted leading to creation of the right characteristic of the foundation of the any cell or organs or creatures.

10  
15 In space refuelling and accessing new material for food or oxygen, or parts will easily done, simply by retracting basic matters in the cosmos soup and using this method in conjunctions with atomic welding methods, all matters on continuous bases can be produced or manufactured as demand arises, so there are no need for huge inventory to carry, one produces in the core as what it is needed at that point of space and time.

20  
25 Gravitational devices become possible which can move without contact with a carrying substrate (i.e. earth surface, sea, air, etc.), such as gravitational lifted transport devices, lifters for heavy products, wheel chairs for able and disable bodies, the push chair for children, or elevators in building, the use of hollow center loop fitted with rotor blade of any kind for the manufacture of current, for sky or water board, sliding board for play where the board hover, for movement large objects, this being for automotive or commercial vessels, trucks and trailers or shipping over liquid or solid bodies from one continent to other or planets or solar systems and galaxies, for use of cycles sliding over surface, craft which can fly and have magnetic shielding and gravitational force field inside, for railway like system where the object of any size or length can flout over the track, use in the fork lift and crane and platform lifting of an object of any kind and size in industry for lifting objects or liquids to any height, for the use in the gates and doors which will elevate and levitate or revolve by use of antigravity and vice versa, tables and chairs, beds, furniture's of any kind with or without legs or attachments to the physical surrounding, shoes for walking, etc.

30  
35  
40 New methods and applications become possible in the inter-terra development and exploration (i.e. transport tunnels and hollow habitat spaces by rock melting in deeper earth and planet layers),

45 We see also an interesting number of applications in Transforming units for the decomposition and recompositions of waste and old products in

new basic matter and materials or specific combinations (i.e. plastics) with perfect internal atomic ordering.

5 There are also products related to the creation of double or more magnetic fields\_superimposed (30), at least two, and fully in circulating each other in layers, on top of each other for multi-layer shielding of an object, where at least one magnetic fields can rotate in one direction or at least one rotating in the opposite direction to one or more fields, like for the use in submarine or space craft industry, air- and space transport  
10 systems and devices (i.e. with magnetic shielding effect with creation of imposition gravity) and non-air-friction-systems, products for welding industry, this being material or atomic welding or molecular welding.

15 New electronic devices and components become possible (i.e. computers, scanners, etc. with 3D-dynamische layers), nano-wire transistors, three dimensional screen, three dimensional communication holographic systems, etc., and various aspects of nano-technology, where the minuet machines needed to be energised and controlled, where the packages of energy can be made or delivered to the energy  
20 cells or the battery of the system for it to continue operation, or the use of minuet battery system which only creates electrovolts current needed for the operation of these micro machines.

25 A important application is in the field of communication systems, by the use of the soft body, or port of the reactor at least with one cavity, where the high energy magnetic wave are released in the spherical domain, or at least in one direction, where the magnetic energy will be code in the sequence as in the present system but this will be hard to decipher in the inter galaxy system, the best method of space rapid response  
30 communication will be the magnetic plasma of the element in the sequential chambers, what this means is that the Hydrogen plasma magnetic energy will be A, Helium plasma magnetic energy will be B and so forth, according to atomic weight if the element, where simultaneous small chamber magnetic charge will be released in the magnetic energy  
35 field level, then there is no need for decoding or losing information in the solar system or galaxy media, as each element of the periodic table carries it own magnetic energy frequencies in the plasma magnetic state, and then the time laps will be insignificant, and inter solar magnetospheric bouncing will be used, like satellite dishes of the present time to forward a  
40 message onto the next system or craft in the other part of the same system or others.

45 New decontamination systems, and growth provoking magnetic conditions for human, animal and plant cells and life (i.e. plasma-multi-color light), and radiation protection, CO2-decomposition system, etc., are possible.

New development are possible in weapon systems (i.e. a fragment of the reactor wall is opened under controlled conditions or at least one layer-

5 core is opened by physical means and/or at least one magnetic field), partial or complete magnetic disintegration of matter on any atomic or molecular level (i.e. meteorites) becomes possible; protection fields for various object like air craft, ships, tanks, housing, and also radar-stealth systems (for stealth effect where the incoming energy from a radar can fully be absorbed in the tangles of one or more magnetic fields), EM-absorption systems,

10 New magnetic blanketing can be reached in a perfect way (internal magnetic ordering in objects, tools and devices).

15 Another field of applications is in field of Housing concepts and products, due the use of the magnetic field shielding, as an object to prevent passage or block or obscure the view into or out of an object, like as doors or walls for entering into or out of an object, like the door of a house or walls of the house, or as replacement of or the glass or any other materials used for this purpose where the double glazing or any kind of glazing, or prevention of entry of small or certain object can be predetermined by the field, like to be used as of mosquito nets and window fly nets, or as umbrellas for preventing the sun or the rain from reacting any matter or object, roofing, and flooring.

25 Products and applications can be designed related to the energy release mechanism using soft or retractable wall system of the core that can be used for release of plasma or energy or an object, or material in one or more direction from the at least one or more cores of the system, this being used as the rivet machines, nail machines or guns of all sorts, shooting guns for defence and laser or leisure or hunting, using for destruction of matter ahead like dynamite, drilling machine in any scale or with any power, dentist drilling machine, space weapons for destruction of meteorite or object ahead, where the delivered mater will not have a physical container as of the rockets and bolts of present time, but packages of energy being magnetic or plasmas or matter of any kind.

35 New type of suction machines for vacume system for absorption or attraction of other matters by use of magnetic field attraction or physical suction of the system, this being used for likes of household vacuum cleaners or industrial vacuum cleaners, or for absorption of any gas or liquid, or solid material from its immediate environment like in contamination clean up conditions, and this can be created through magnetic strength helicities between at least two inter-layers (57, 55) of material with different speed of rotation and varying atomic weight, creating it's own localized magnetic field black hole (56) condition where by the use of soft body core or magnetic tunneling material can be sucked into the black hole region from the core region of the reactor or by facilitating a port hole from matters outside into the black hole condition, as described in annex (section " creation of black hole") and in the description.



We see also new products related to the creation of internal heat source leading to creation and the interaction of two or more magnetic fields, leading to creation of gravity, shielding and current production in alternating or direct or electrovolts levels, used in the space, aircraft, and submarine, colonisation crafts.

Several consumer products will be created, such as textiles (i.e. with memory), and vacuum suits for human or animal or any object in possession of internal gravity for play or industrial or apace application, like toys (i.e. human lifting belts) and sporting products, all sorts of material used for floating, belts for levitation , where gravity can be reversed, magnetic shield bowls, diving suits for submerging in to any liquid or gas in possession of gravity and heating elements.

Products, machinery and applications become possible which are related to using the magnetic pressurises for the production or shaping of all kinds of material or containers and use in the pressure moulding and pressure casting, or for the pressure pumped systems of all types of materials and matters, like the water pumps, injectors for computer industry printing and etching system and lithography, printing industry (i.e. transfer print), and plating and lamination industry.

Zero gravity machines can be used for production of material, where the reactor will, by in circulating the inner cavity, where the material is produced, like in flask or a room , where the magnetic fields of one or more do not pass the inner physical boundary of the containment but creates the zero gravity condition in the inner cavity but not at the same time a vacume condition, this being used for like production of silicone or for the micro chip industries where clean but zero gravity condition is necessary.

Also new medical devices and applications are possible, due the creation of one or more soft magnetic fields for matching the magnetic field but at the same time in possession of gravitational force system, with temperature level control requirements for medical use, for like reseating of the magnetic or energy levels of human cell for eradication of cancer cell from a tissue, for blood cell for blood cancer, like dialysis's machine, or creation of condition for the growth of body part in the exact position on the body, of remote matter or organs replacement without cutting tissues or organs from outside to reach the organs or part in the matter, this is un-intrusive surgery, incubators for premature bore child, where the gravity can be reduced to allow breading in a softer conditions, where heat and liquid condition of the internal environment of mother reproduction organs can be replicated, Incubators for animal production, Organ transplant without intrusive method by transmutation of the organ in its position and in position reconnection of the organ through remote one or more gravity laser beam for the swing of the organ in its position.

- 5 Of course an very important application and method is related to the generation of electrical power, using one or more materials in the cavities, by the use of collection of the appropriate charge particles from the right electrodes specially positioned in the He (83) and Ar (82) layers or on the appropriate material layer, where the positive charges can be utilised as well as the negative charges for operation and used within or the outside the parameters of the system, that is to say the protons carry as much energy or most instance more than the its electron counter parts, where ever they are collected in one or more cavities of the reactor, and by 10 which the total utilisation of all energies from all parts of an atom even the magnetic dark matter is possible, and not just the electrons as has been done up to now.
- 15 Atomic welding applications and technology, becomes a simpler way to produce or fuse matter together than fusion methods - where large energies are required to fuse to atoms together - where atomic welding brings to near similar atoms or molecules together and only add one electron or proton, or an neutron for the two atoms to become one, which 20 is in reality the reverse atomic decay or half life system method, which the world of science has never understood, where for example potassium goes through beta decay to become argon, where if one add beta in the magnetic and gravitational condition one can create potassium from argon, thus applying the material creation in the universe, where the 25 atoms do no start always from hydrogen to go to uranium, but they just simple weld into higher element to create heavier elements, like creating 113 element out of Iron 56 and 57 (which is a double magnetic element and therefore can be called magnetically a 'dark' matter).
- 30 Space travel without use of any fuel using the gravitational pull of a targeted planet, where the double magnetic material created in one or more cores could be fed into three independent, 120 degrees positions, for creation of the planetary gravitational pull, where one reactor will be filled and two other reactors on approach to or near the destination will be 35 reversed back in gravitational force using a different magnetic dark matter for break or slow down system.
- 40 Even non-tangible magnetic locks in position of gravity are possible where the two magnetic fields are matching but opposite that they can lock into each other. These applications are claimed here, now, and may be developed in more detail in future patents.
- 45 Next are some specific claims related to this invention, and they are also described in for mentioned annex.
- A reactor (26) can have only one rotating chamber. This reactor body (26) can contain at least two inserted gasses of different atomic weight which position themselves due the centrifugal effect in layers: (1) the lighter

gas(es) at the inside (so called inner core 28A) and (2) the heavier gas(es) at the outside (so called outer core 28B).

5 Another type of reactor (27) will have at least two internal chambers (28C and 28D).

The reactor can have at least two internal chambers, from which at least one is stationary (28D).

10 The reactor body can have at least two internal chambers, from which at least one (28C) is connected with the central column (29) and both rotate together.

15 It is possible that the reactor (10) has a central column (16A) which is in rotation, but it is also possible to make a reactor where the central column is static.

It is also possible to build a reactor where there is not a central column in at least one chamber.

20 A reactor can also be built where there is a different central column in at least two chambers.

25 The central column can have several shapes and/or concepts, at least in one chamber, such as: fully telescopic, partly telescopic, with a pipit inside, without a pipit inside, partly dynamic (i.e. only tip part rotates). The central column will be designed after the intentional purpose, the materials to be used, the way to insert them and the conditions to meet.

30 The central column may have rotary-blade(s) or saddle(s), covered with various materials (i.e. radioactive), equipped with magnetic means (i.e. solid, liquid, coils, electromagnets, ionization emitters (i.e. lamps, microwave, chemicals, etc.).

35 A reactor (fig. 1 to 9) will create at least one spherical or other shaped non-tangible magnetic field (20, 21, 30, 40, 41, 50, 62, 63) at least in one chamber.

40 But a reactor (fig. 6, 8) is also claimed that can create at least two spherical or other shaped non-tangible magnetic fields superimposed or encircled one inside the other at least in one chamber.

45 A reactor (fig. 2) is also claimed that can create at least two spherical or other shaped non-tangible magnetic fields (20, 21) superimposed or encircled one inside the other at least in one chamber, for the creation of gravity and antigravity (i.e. lift, levitation), and/or at least a double magnetospheric (22) effect.

A reactor (fig. 2) is also claimed that can create at least two spherical or other shaped non-tangible magnetic fields (20, 21) superimposed or encircled one inside the other at least in one chamber, for the creation of

plasma for cold or hot fusion process, including the containment of such plasma, in position of gravity for fusion processes (i.e. power generation, production of new materials).

5 A reactor is also claimed to generate electric current (80, 81, 82, 83) at least in one chamber through ionization, turbulence, convection, rotation and plasma, and magnetic fields and interaction between at least two magnetic fields, and at least in one layer of the material in one chamber.

10 A heat reactor is also claimed to generate heat in at least in one chamber through ionization, turbulence, convection, rotation and plasma, and magnetic fields and interaction between at least two magnetic field, and at least in one layer of the material in one chamber, which will deliver heat (70) to at least one material in at least one chamber or to the surrounding outer layer of the inside of the reactor, or at the outer boundary of the reactor (i.e. for heat-transfers, heat exchangers or heating or lighting (i.e. steam).

15 A reactor is also claimed to generate cooling in at least in one chamber through ionization, turbulence, convection, rotation and plasma, and magnetic fields and interaction between at least two magnetic field, and at least in one layer of the material in one chamber, which create cooling effect to at least one material in at least one chamber or to the surrounding outer layer of the inside of the reactor, or at the outer boundary of the reactor.

20 And finally a reactor (fig. 10) which possesses – in at least in one chamber - all type of heat, current, magnetic field (gravity and plasma), i.e. space-craft technology, magnetic shielding.

25 This invention is intended to bring substantial progress and freedom for mankind in various domains.

30 Description of the drawings/images.

35 Fig. 1. shows a rotative plasma reactor with a central column and with on top a assembly of external technical items, like containers.

Fig. 2. shows a rotative plasma reactor with inside the cavity two magnetic fields. The two images on the right are 3D gradations to show the spheric shape.

40 Fig. 3 shows how magnetic fields can reach to outside the rotative reactor.

Fig. 4 shows that two magnetic fields which cover each a small and larger area in the reactor cavity.

45 Fig. 5 shows a rotative plasma reactor with one core.

Fig. 6 shows a rotative plasma reactor with two partitions. In each partition a magnetic field is put.

Fig. 7 shows the distribution of heat in the rotative plasma reactor.

5

Fig. 8 shows the radiation and currents in the rotative plasma reactor.

Fig. 9 shows a static plasma reactor with a non-rotative central column, where on the right is shown a grid with magnets which are activated random or irregular to trigger internal rotation.

10

Fig. 10 gives a general view of all processes in our rotative plasma reactor.

15

Fig. 11 is a photo of a static plasma reactor, a cola bottle which has three electrodes in the liquid and two in the upper layer (the plasma). The photo shows that between two copper electrodes a voltage is measured. Next to the production of energie, also atomic carbon (sp<sup>2</sup> and sp<sup>3</sup>) is deposited on the electrodes and electrode parts which in the plasma.

20

Fig. 12 shows a cola bottle plasma reactor which has only two copper electrodes. This bottle was first filed, then emptied. Only moisture is left, being the plasma. Voltage is measured between the electrodes. Additionally the electrodes were deposited with atomic carbon which is originating from the plastic of the bottle.

25

Fig. 13 shows a cola bottle plasma reactor which has three copper electrodes. This bottle contains a liquid. Voltage is measured between the electrodes in the plasma. Not shown here is that also voltage and current is measured between an electrode in the plasma and one submerged in the liquid. Additionally the electrodes were deposited with atomic carbon which is originating from the plastic of the bottle.

30

Fig. 14 shows a graph indicating the outcomes between electrodes N°1 and 1A, and 2 and 3. Measurement in mV and mA.

35

Fig. 15 shows on the left a electrode tested for the characteristics of the deposits. These are atomic carbon (sp<sup>2</sup> and sp<sup>3</sup>) as shown in the photo on the right. This is confirmed in the reference document in annex B. (by IMEC, title: Raman spectroscopy sp<sup>2</sup>/sp<sup>3</sup>).

40

## Claims:

1. Method to produce energy and gravity fields with a reactor, which comprises of:
- 5 a. sustainable wall means;  
b. at least one chamber that can be sealed;  
c. port means for introducing materials in said chamber and for retrieving materials from said chamber; (after the introduction of said materials or able to add and/or retrieve materials during or after the processing);
- 10 d. sealing means for the closing of said chamber, and which contains  
e. said materials from which at least one sub-quantity being radioactive and/or being able to be transformed in a radioactive isotope during the internal process;
- 15 f. said materials from which at least one sub-quantity being an inert gas and/or being able to be transformed in an inert gas or in inert gas vapour during the internal process;  
g. said materials from which at least one sub-quantity being a atomic or molecular metallic material and/or being able to be transformed in a atomic or molecular metallic material, in metallic gas or in metallic vapour during the internal process;
- 20 h. said materials from which at least one sub-quantity is hydrogen and/or being able to be transformed in a atomic or molecular hydrogen, in during the internal process, and where upon the sealing of said chamber said materials, preferable in conjunction with the matters of said wall, start a controllable interaction process of repositioning the plasmatic magnetic energy fields of the introduced elements, where a number of the dynamic actions between them lead to the creation of new plasmatic magnetic energy fields, like in atomic, plasmatic and molecular level, where the interaction between at least two of them simultaneously lead to the fragmentation of existing plasmatic energy fields, leading to creation of current and energy from the reactor, and where from these fragmentations can be collected useful energy output, and where the interaction these fields with the core plasmatic magnetic energy fields can lead to the creation of at least two superimposed plasmatic magnetic energy fields which will cause the gravitational effects within and/or around said reactor, which this leads to the creation and control of gravitational (positive or negative in respect to a given or a reference gravitational field) and magnetospheric field forces;
- 30  
35  
40
2. Method to produce, in and around the embodiment of a reactor, a gravitational and/or anti-gravitational effect, where applying such effect will lead to be able to process matters in a new way, namely at
- 45

atomic level, and at room temperature and normal pressure, or able to change positions of matters in respect to each other, which can be used where by the use of a semi-fusion (fusion/fission combination) chain of events, certain matters within said reactor are brought into a location to interact with each other, where the outcome of these interactions will create dynamic plasmatic magnetic energy fields (PMEF), where upon the interaction of at least two such PMEF in respect to each other, a fluid dynamic plasmatic repulsion and attraction field will be created (according to the principle of simultaneous attraction and repulsion of two similar and two dissimilar polarities), which the outcome of the interaction of the two dynamic fields, will lead to creation of double (superimposed) plasmatic magnetic energy fields, which are loosely interlocked spherically one on top of the other, creating a combined PMEF which one effect will be the gravitational and second effect will be the magnetic field effect around and within said embodiment, which this combined PMEF, is itself due to the principle of loose dynamic magnetic realignment at atomic and molecular level, will create the gravitational and spherical magnetic fields, within and the surrounding environment of the embodiment of the reactor, where these two created magnetic fields are created independently and separated from each other within said embodiment by means of a physical partition, where this partition can be made of any physical tangible barrier (like a wall) or could of plasmatic or liquid origin, or could be by the creation of two simply indifferential magnetic field strength as a separation barrier, where said reactor embodiment comprising:

- a. sustainable wall means;
- b. at least one chamber that can be sealed;
- c. port means for introducing materials in said chamber and for retrieving materials from said chamber; (after the introduction of said materials or able to add and/or retrieve materials during or after the processing);
- d. sealing means for the closing of said chamber, and which contains
- e. said materials from which at least one sub-quantity being radioactive and/or being able to be transformed in a radioactive isotope during the internal process;
- f. said materials from which at least one sub-quantity being an inert gas and/or being able to be transformed in an inert gas or in inert gas vapour during the internal process;
- g. said materials from which at least one sub-quantity being a atomic or molecular metallic material and/or being able to be transformed in a atomic or molecular metallic material, in metallic gas or in metallic vapour during the internal process;
- h. said materials from which at least one sub-quantity is hydrogen and/or being able to be transformed in a atomic or molecular hydrogen, in during the internal process, and

where upon the sealing of said chamber said materials, preferable in conjunction with the matters of said wall, the initial controllable interaction process starts;

where said initial process is enhanced by motion means of said reactor;

- 5
- 10
- 15
- 20
- 25
- 30
- 35
- 40
3. Method to create a gravitational producing system and related processes by the use of fusion, semi-fusion, ionization, and/or fission of materials within the confined reactor-embodiment, by the correct combination and association between the materials within the embodiment, where by the release of plasmatic magnetic energy created by the interaction of different materials and dynamic turbulent conditions of these materials and a radioactive source placed in the core can leading to the production of dynamic plasmatic magnetic fields within the embodiment, where upon at least two such fields interaction with each other, in the same core or in different locations or superimposed on top of each other, leading to creation of an interlocking double magnetic field, behaving as a whole as a gravitational field system, where by principle of attraction and repulsion of two similar and dissimilar magnetic polarities, a combined fluid plasmatic magnetic field within and/or in the vicinity of the two fields within the reactor is created or within it's surrounding environment is created, which this creates the condition for availability of applicable gravitational field force for the reactor, where this newly created gravitational field can determine the position of the embodiment in respect to other gravitational fields which are created by other gravitational systems, within the vicinity of the reactor-embodiment, where this gravitational field force could be varied according to the strength of any of the two plasmatic magnetic energy fields which have created it, where this can be used for directional positioning and directional movement of the core embodiment within it's surrounding, where the separation of the two magnetic field could be created by the method of creation of different magnetic field densities in respect to each other or by placement of a physical separation wall which could be gas, liquid, solid or any other combination, and where said reactor will comprise
    - a. sustainable wall means;
    - b. at least one chamber that can be sealed;
    - c. port means for introducing materials in said chamber and for retrieving materials from said chamber; (after the introduction of said materials or able to add and/or retrieve materials during or after the processing);
    - d. sealing means for the closing of said chamber, and which contains



- 5 e. said materials from which at least one sub-quantity being radioactive and/or being able to be transformed in a radioactive isotope during the internal process;
- f. said materials from which at least one sub-quantity being an inert gas and/or being able to be transformed in an inert gas or in inert gas vapour during the internal process;
- 10 g. said materials from which at least one sub-quantity being a atomic or molecular metallic material and/or being able to be transformed in a atomic or molecular metallic material, in metallic gas or in metallic vapour during the internal process;
- 15 h. said materials from which at least one sub-quantity is hydrogen and/or being able to be transformed in a atomic or molecular hydrogen, in during the internal process, and where upon the sealing of said chamber said materials, preferable in conjunction with the matters of said wall, the initial controllable interaction process starts; where said initial process is enhanced by (external) (internal) motion means of said reactor;
- 20 4. Reactor, working after the method claimed in claim 2, equipped with a reactor-embodiment (10) with at least one (26) or more (27) spaces (i.e. cavities 11) - possible wise separated by at least one solid (14A), gaseous (14B) or other state layering matter – under vacuum and/or centrifugal conditions – a chain of energetic events is created via a rotative soft or hard magnetic (17A), initiation of a basic ionization of a gas (i.e. hydrogen 18A) or other elements, which then triggers a controllable chain of energy transfers (so called Scintillation) to the next following layer(s) of introduced gasses (i.e. He 18B, Ne 18C, Ar 18D, Kr, Xe 18E), of other introduced elements - which can be all - of the periodic table (i.e. Li, Be, K, Ca, Ti, ... Pt, etc.) and/or their introduced molecule combinations (i.e. a vapor), by that chain of inter-layer transfers several other physical phenomena are caused and created, such as:
- 35 ∞ Compression and decompression inside the reactor chamber,
- ∞ Rotation,
- ∞ the creation and interaction of one or more magnetic fields (i.e. 20 and 21) in the center core of the reactor,
- 40 ∞ the development of heat (40) due to ionization and the magnetic fields and their reconnection(s) by the matters in the center core (also called caroline core (13, 28A, 28C) and the magnetic field in turn created in the outer core(s) (12, 28B, 28D) in the reactor chamber (11),
- 45 ∞ magnetosphere effects (22) of the two magnetic fields of the center core, and the magnetic field of the outer core,

- 5
- ∞ the emission of rays up to Ultra Violet for heating up the materials in the core(s) or plasma's,
  - ∞ the creation and convection motion (71, 81) for creation of current in at least one core (80, 82) and the single and double magnetic fields which create the fundamental cyclic transformation /retransformation of the gas and/or matter involved from ground-state to excitation-state(s),
- 10
- which the interaction between the two magnetic fields, of at least two cores, leads to the creation of gravity and anti-gravity due the creation of the double spherical or other shaped superimposed magnetic fields (20 and 21, 30), and whereby this will cause the rotation (50) of the containment vessel(s) ( all 18) of the center (caroline) core;
- 15
5. Reactor, as claimed in claim 4, where the rotation of the inner core (84) causes the rotation in at least one central column in at least one chamber, and where the central column (16A) may:
- 20 i. Either turn completely, powered by a power source (15F) that is positioned outside the chamber,
  - ii. Either from which only at least one part with magnetic means turns, i.e. the tip-part (51)(in the center of the chamber),
  - 25 iii. Either from which only a part with topological means turns, i.e. at least one mixing blade (in the center of the chamber), possible wise covered with at least one scintillating material (16E) unit (15C), or i.e. a spinning ejection mouth,
  - 30 iv. Either is completely immobile (fixed)(Fig. 9) but which has on it's surface at least one set of electromagnets (90) and/or coils which can be activated (92A) or deactivated (92D) – possible wise controlled by electronic means (i.e. a microchip 93 ) - in a preferred periodical and/or positional way, which - preferable - can change polarity and/or strength (92A, 92B, 92C), that way able to create turbulence in the center core, and/or in other superior cores,
  - 35 v. Either is completely immobile (fixed) but by which the basic gas and/or matter is pumped in a core by at least one ejection mouth, (called the statistic reactor),
  - 40 vi. Either has at least one symmetrical or asymmetrical channel in it's tip which can pump gas(ses) from one side to the other,
  - 45 vii. A combination of previous;

6. Reactor, as specified in claim 4 and 5, where the central column (16A) possible wise - but very preferable - has at least one internal channel (16D) (i.e. a borehole 16B) for the distribution and/or collection of relevant gas(es), matter and/or plasma (23), and possible wise can have at least one electrode (17B) - but very preferable several - to collect electric current for transportation (17C) to the outside of the reactor, can have - depending from the type of reactor (i.e. 14A, 14B) and corresponding type of gas, matter or plasma - one or more injection-mouths on different levels, each for another type of gas, matter and/or plasma, preferable on a height that correspondents with the layering position that this gas or matter will have after it's atomic weight and/or the purpose of the injected plasma or matters;
7. Reactor (10), as specified in claim 4, comprises a body (24) that can made of any natural or man-made material or several materials, or in atomic or molecular state - at least made of one part - in which at least one hollow space (11) is positioned, and whereby all relevant parts (i.e. the wall 25) - if needed to be protected (i.e. coated, laminated, painted, etc.) in well known manners against corrosion, aggressive acids, etc., and with at the outside of the reactor (10) a number of relevant supporting systems are positioned, such as: pressure-tanks (15A), reverse tanks (15B), turbo molecular pump (15E), gas seals, scintillation unit(s)(15C), electrical brushes (15D), heat removal chamber, valves, pumps, tubes, closing means, measuring means, control sensors, engine(s)(15F), gears, power-source, electrical components (i.e. fuse), computer(s), IC's, etc.;
8. Reactor, as specified in claim 4, whereby after the initial mechanical rotation (i.e. at 3,000 rpm) and/or electromagnetic triggered rotation the internal rotation (50) will be continued due the interaction of the magnetic fields involved (self-sustained process), in correspondence with one of more core-layers and their containment, and possible wise one of the reactor concepts may have one of more of next specifics:
- The central column may be mechanically withdrawn (52) if the internal interaction goes after wish, and can be repositioned inside the chamber if there is a need to collect current, to add new gas(es), matter and/or plasma, and/or to adapt or correct the balance of the lower or higher volume-ratio of the matter and density,
  - The central column will have on his tip (53)(central position) at least two magnetic means (54) of different pole, but preferable several sets which can be ring wise or polarity faced wise and sized positioned above or next to each other, and on the top of the column tip one magnet, either in polarity strips (95) or as a single body,

- 5 c. The central column may be treated at the inside and outside surface by radioactive material (16E)(i.e. liquid, solid or a spray), or materials which can radioactively decay, or by fixed methods of scintillation like microwave lamps;
9. Reactor, as specified in claim 4, which has more than one column, one (91) with its tip positioned in the center area, and at least one (94) with its tip on a different level, but separated from each other;
- 10 10. Reactor, as specified in claim 4, with at least two central columns (fig.7) are positioned opposite to each other, either creating a similar rotational effect, either creating a conflicting rotational direction;
- 15 11. Reactor, as specified in claim 4, where the reactor body contains at least two separate hollow spaces of identical or different dimensions, and where the reactor body contains at least two separate material cores (i.e. by a wall-layer 14A), a larger encircling a smaller, and each may have a proper internal independent process, and magnetic interactions may occur between their magnetic fields, and matters may be exchanged between physically separated chambers (28C and 28D) by connection means (58);
- 20 12. Reactor, as specified in claim 4, which is connected by connection means with at least one other reactor, either of a different type, dimension, concept, either identical;
- 25 13. Reactor, as specified in claim 4, where in an external container (15C) – outside the chamber - at least one scintillating unit (i.e. made of or partially of Cs137) is available which will have a normal radioactive behavior or its natural decay inside or outside the chamber;
- 30 14. Reactor, as specified in claim 4, having either a solid structure (10), either a dynamical structure and being able to adapt its structure after, (i.e. the internal pressure and temperature), and being secured by magnetic seals (16C) and/or fields, where the reactor core can have several overall shapes, such as: perfect spherical, elliptic, half-circular, etc.;
- 35 15. Reactor, as specified in claim 4, where a reactor wall (25) and/or material core wall (29B) can have locally or overall several topological shapes, skins and/or furnishings, such as: perfect smooth, dimpled, grooved, triangled, etc.;
- 40 16. Reactor, as specified in claim 4, where the material core (29B) can be surrounded by conductive wires (i.e. copper) or bands which can
- 45

create additional Alternating Current, which can be superimposed on the Direct Current(s) which are created within the core;

- 5 17. Reactor (26), as specified in claim 4, which has one rotating chamber;
- 10 18. Reactor (26), as specified in claim 17, where at least two gasses of different atomic weight are inserted which position themselves due the centrifugal effect in layers: (1) the lighter gas(ses) at the inside (so called inner core 28A) and (2) the heavier gas(ses) at the outside (so called outer core 28B);
- 15 19. Reactor (27), as specified in claim 4, which has at least two internal chambers (28C and 28D);
- 20 20. Reactor, as specified in claim 4, which has at least two internal chambers, from which at least one is stationary (28D);
21. Reactor, as specified in claim 4, which has at least two internal chambers, from which at least one (28C) is connected with the central column (29) and both rotate together;
- 25 22. Reactor (10), as specified in claim 4, where a central column (16A) is in rotation;
23. Reactor, as specified in claim 4, where the central column is static;
24. Reactor, as specified in claim 4, where there is not central column in at least one chamber;
- 30 25. Reactor, as specified in claim 4, where there is a different central column in at least two chambers;
- 35 26. Central column, as specified in claim 5, which can have several shapes and/or concepts, at least in one chamber, such as: fully telescopic, partly telescopic, with a pipit inside, without a pipit inside, partly dynamic (i.e. only tip part rotates);
- 40 27. Central column, as specified in claim 5, rotary-blade(s) or saddle(s), covered with various materials (i.e. radioactive), equipped with magnetic means (i.e. solid, liquid, coils, electromagnets, ionization emitters (i.e. lamps, microwave, chemicals, etc.);
- 45 28. Reactor (fig. 1 to 9), as specified in claim 4, that can create at least one spherical or other shaped non-tangible magnetic field (20, 21, 30, 40, 41, 50, 62, 63) at least in one chamber;

29. Reactor (fig. 6, 8), as specified in claim 4, that can create at least two spherical or other shaped non-tangible magnetic fields superimposed or encircled one inside the other at least in one chamber;
- 5 30. Reactor (fig. 2), as specified in claim 4, that can create at least two spherical or other shaped non-tangible magnetic fields (20, 21) superimposed or encircled one inside the other at least in one chamber, for the creation of gravity and antigravity (i.e. lift, levitation), and/or at least a double magnetospheric (22) effect;
- 10 31. Reactor (fig. 2), as specified in claim 4, that can create at least two spherical or other shaped non-tangible magnetic fields (20, 21) superimposed or encircled one inside the other at least in one chamber, for the creation of plasma for cold or hot fusion process, including the containment of such plasma, in position of gravity for fusion processes (i.e. power generation, production of new materials);
- 15 32. Reactor, as specified in claim 4, to generate electric current (80, 81, 82, 83) at least in one chamber through ionization, turbulence, convection, rotation and plasma, and magnetic fields and interaction between at least two magnetic field, and at least in one layer of the material in one chamber;
- 20 33. Reactor, as specified in claim 4, to generate heat in at least in one chamber through ionization, turbulence, convection, rotation and plasma, and magnetic fields and interaction between at least two magnetic field, and at least in one layer of the material in one chamber, which will deliver heat (70) to at least one material in at least one chamber or to the surrounding outer layer of the inside of the reactor, or at the outer boundary of the reactor (i.e. for heat-transfers, heat exchangers or heating or lighting (i.e. steam));
- 25 34. Reactor, as specified in claim 4, to generate cooling in at least in one chamber through ionization, turbulence, convection, rotation and plasma, and magnetic fields and interaction between at least two magnetic field, and at least in one layer of the material in one chamber, which create cooling effect to at least one material in at least one chamber or to the surrounding outer layer of the inside of the reactor, or at the outer boundary of the reactor;
- 30 35. Reactor (fig. 10), as specified in claim 4, which possesses – in at least in one chamber - all type of heat, current, magnetic field (gravity and plasma), i.e. space-craft technology, magnetic shielding.
- 35 36. Reactor, as specified in claim 4, which brings a large number of new products and applications, such as:
- 40
- 45

- 5
- 10
- 15
- 20
- 25
- 30
- 35
- 40
- 45
- a. The creation of gravity and anti-gravity,
  - b. The creation of internal heat source leading to creation and the interaction of two or more magnetic fields, leading to creation of gravity, shielding and current production in alternating or direct or electrovolts levels, used in the space, aircraft, and submarine, sea-bottom habitat, liquid habitat like in a container tank or for nano technology in blood vessels, colonisation crafts and colonisation systems (i.e. cocooned atmosphere conditions on a sea bed, beneath surface or on surfaces),
  - c. The same as u. but now creating at least one extra layer with a magnetic field rotating in opposite direction to at least one other magnetic field, within at least one core or outside the boundary of the system, creating in example a impenetrable field and useful for reentry or exit of atmospheric conditions, or for laser-like effects of co-existing magnetic fields (i.e. surgery, cutting tools and long-distance communication),
  - d. The production of energy via soft fusion (i.e. cold and warm fusion),
  - e. The production of plasma due the creation of gravity at molecular level between two magnetic fields (41, 42)(62, 63) of two cavities or more in a system for creation high temperature plasma in fusion industries (40),
  - f. New concepts of batteries, lighting devices (i.e. transparent reactor-housing, light-bulb, floor light, wall light and flood-light, etc.), security products (i.e. traffic lights, sensors, water purifiers, etc.) and industrial and household devices and apertures, like water-production machines,
  - g. Heating and drying devices, the use of energy production capabilities for creating heating like warming the surrounding matters, like in boilers and heaters in the house for central heating systems or individual heating systems, and warm blanketing, using as boiler for warming up or boiling matters like liquids and malting solid materials, for use as drying system like hair dryers for industrial or commercial drying system, or heating oven, or stove or cookers in the house appliances, or grilling of food appliances for private or commercial or industrial use,
  - h. Cooling devices due the reverse gravity magnetic field generation system(s), where the system will absorb heat from its surrounding, to cool its surrounding for use in the air-conditioning for buildings and cars, and crafts or any object which can carry any other object, refrigeration systems of any kind , production of ice or frozen state of any material or matter,

- 5
- 10
- 15
- 20
- 25
- 30
- 35
- 40
- 45
- i. The production of new materials in and outside the reactor chamber under specific magnetic and/or gravitational conditions (i.e. directional nano growth, the welding of atoms and molecules, etc.),
  - j. Atom creation for human or animal or plant cells, where the micro gravitational field in presence of magnetic fields in one or more magnetic fields created in the center of the one or more cavities will allow magnetic fields above dark magnetic levels to manifest themselves and cluster together to create the nucleolus of the atom and in use of multi layering, then the electrons are allowed to manifest themselves, and these processes can be continued for leading to production of molecules, and base material for the DNA, where specific energies or magnetic fields are inserted leading to creation of the right characteristic of the foundation of the any cell or organs or creatures,
  - k. In space refuelling and accessing new material for food or oxygen, or parts will easily done, simply by retracting basic matters in the cosmos soup and using this method in conjunctions with atomic welding methods, all matters on continuous bases can be produced or manufactured as demand arises, so there are no need for huge inventory to carry, one produces in the core as what it is needed at that point of space and time,
  - l. Gravitational devices which can move without contact with a carrying substrate (i.e. earth surface, sea, air, etc.), such as gravitational lifted transport devices, lifters for heavy products, wheel chairs for able and disable bodies, the push chair for children, or elevators in building, the use of hollow center loop fitted with rotor blade of any kind for the manufacture of current, for sky or water board, sliding board for play where the board hover, for movement large objects, this being for automotive or commercial vessels, trucks and trailers or shipping over liquid or solid bodies from one continent to other or planets or solar systems and galaxies, for use of cycles sliding over surface, craft which can fly and have magnetic shielding and gravitational force field inside, for railway like system where the object of any size or length can flout over the track, use in the fork lift and crane and platform lifting of an object of any kind and size in industry for lifting objects or liquids to any height, for the use in the gates and doors which will elevate and levitate or revolve by use of antigravity and vice versa, tables and chairs, beds, furniture's of any kind with or without legs or attachments to the physical surrounding, shoes for walking,



- 5
- 10
- 15
- 20
- 25
- 30
- 35
- 40
- 45
- m. Inter-terra development and exploration (i.e. transport tunnels and hollow habitat spaces by rock melting in deeper earth and planet layers),
  - n. Transforming units for the decomposition and recompositions of waste and old products in new basic matter and materials or specific combinations (i.e. plastics),
  - o. Products related to the creation of double or more magnetic fields superimposed (30), at least two, and fully in circulating each other in layers, on top of each other for multi-layer shielding of an object, where at least one magnetic fields can rotate in one direction or at least one rotating in the opposite direction to one or more fields, like for the use in submarine or space craft industry, Air- and space transport systems and devices (i.e. with magnetic shielding effect with creation of imposition gravity) and non-air-friction-systems, products for welding industry, this being material or atomic welding or molecular welding,
  - p. Electronic devices and components (i.e. computers, scanners, etc. with 3D-dynamische layers), nano-wire transistors, three dimensional screen, three dimensional communication holographic systems, etc., and various aspects of nano-technology, where the minuet machines needed to be energised and controlled, where the packages of energy can be made or delivered to the energy cells or the battery of the system for it to continue operation, or the use of minuet battery system which only creates electrovolts current needed for the operation of these micro machines,
  - q. Communication systems, by the use of the soft body, or port of the reactor at least with one cavity, where the high energy magnetic wave are released in the spherical domain, or at least in one direction, where the magnetic energy will be code in the sequence as in the present system but this will be hard to decipher in the inter galaxy system, the best method of space rapid response communication will be the magnetic plasma of the element in the sequential chambers, what this means is that the Hydrogen plasma magnetic energy will be A, Helium plasma magnetic energy will be B and so forth, according to atomic weight if the element, where simultaneous small chamber magnetic charge will be released in the magnetic energy field level, then there is no need for decoding or losing information in the solar system or galaxy media, as each element of the periodic table carries it own magnetic energy frequencies in the plasma magnetic state, and then

- the time laps will be insignificant, and inter solar magnetospheric bouncing will be used, like satellite dishes of the present time to forward a message onto the next system or craft in the other part of the same system or others,
- 5
- r. New decontamination systems, and growth provoking magnetic conditions for human, animal and plant cells and life (i.e. plasma-multi-color light), and radiation protection, CO<sub>2</sub>-decomposition system, etc.,
- 10
- s. Weapon systems (i.e. a fragment of the reactor wall is opened under controlled conditions or at least one layer-core is opened by physical means and/or at least one magnetic field), partial or complete magnetic disintegration of matter on any atomic or molecular level (i.e. meteorites), protection fields for various object like air craft, ships, tanks, housing, radar-stealth system (For stealth effect where the incoming energy from a radar can fully be absorbed in the tangles of one or more magnetic fields), EM-absorption systems,
- 15
- t. magnetic blanketing (internal magnetic ordering in objects, tools and devices),
- 20
- u. Housing concepts and products, due the use of the magnetic field shielding, as an object to prevent passage or block or obscure the view into or out of an object, like as doors or walls for entering into or out of an object, like the door of a house or walls of the house, or as replacement of or the glass or any other materials used for this purpose where the double glazing or any kind of glazing, or prevention of entry of small or certain object can be predetermined by the field, like to be used as of mosquito nets and window fly nets, or as umbrellas for preventing the sun or the rain from reacting any matter or object, roofing, and flooring,
- 25
- 30
- v. Products and applications related to the energy release mechanism using soft or retractable wall system of the core that can be used for release of plasma or energy or an object, or material in one or more direction from the at least one or more cores of the system, this being used as the rivet machines, nail machines or guns of all sorts, shooting guns for defence and laser or leisure or hunting, using for destruction of matter ahead like dynamite, drilling machine in any scale or with any power, dentist drilling machine, space weapons for destruction of meteorite or object ahead, where the delivered mater will not have a physical container as of the rockets and bolts of present
- 35
- 40
- 45

- time, but packages of energy being magnetic or plasmas or matter of any kind,
- 5 w. Suction machines for vacume system for absorption or attraction of other matters by use of magnetic field attraction or physical suction of the system, this being used for likes of household vacuum cleaners or industrial vacuum cleaners, or for absorption of any gas or liquid, or solid material from its immediate environment like in contamination clean up conditions, and this can be created through magnetic strength helicities between at least two inter-layers (57, 55) of material with different speed of rotation and varying atomic weight, creating it's own localized magnetic field black hole (56) condition where by the use of soft body core or magnetic tunneling material can be sucked into the black hole region from the core region of the reactor or by facilitating a port hole from matters outside into the black hole condition, as described in annex (section " creation of black hole") and in the description,
- 10
- 15
- 20 x. Products related to the creation of internal heat source leading to creation and the interaction of two or more magnetic fields, leading to creation of gravity, shielding and current production in alternating or direct or electrovolts levels, used in the space, aircraft, and submarine, colonisation crafts,
- 25
- 30 y. Textiles (i.e. with memory), and vacuum suits for human or animal or any object in possession of internal gravity for play or industrial or apace application, like toys (i.e. human lifting belts) and sporting products, all sorts of material used for floating, belts for levitation , where gravity can be reversed, magnetic shield bowls, diving suits for submerging in to any liquid or gas in possession of gravity and heating elements,
- 35
- 40 z. Products, machinery and applications related to using the magnetic pressurises for the production or shaping of all kinds of material or containers and use in the pressure moulding and pressure casting, or for the pressure pumped systems of all types of materials and matters, like the water pumps, injectors for computer industry printing and etching system,
- 45 aa. Zero gravity machines for production of material, where the reactor will, by in circulating the inner cavity, where the material is produced, like in flask or a room , where the magnetic fields of one or more do not pass the inner physical boundary of the containment but creates the zero gravity condition in the inner cavity but not at the same

time a vacume condition, this being used for like production of silicone or for the micro chip industries where clean but zero gravity condition is necessary,

- 5 bb. Medical devices and applications, due the creation of one or more soft magnetic fields for matching the magnetic field but at the same time in possession of gravitational force system, with temperature level control requirements for medical use , for like reseating of the magnetic or energy levels of human cell for eradication of cancer cell from a tissue, for blood cell for blood cancer, like dialysis's machine, or creation of condition for the growth of body part in the exact position on the body, of remote matter or organs replacement without cutting tissues or organs from outside to reach the organs or part in the matter, this is un-intrusive surgery, incubators for premature bore child, where the gravity can be reduced to allow breading in a softer conditions, where heat and liquid condition of the internal environment of mother reproduction organs can be replicated, Incubators for animal production, Organ transplant without intrusive method by transmutation of the organ in its position and in position reconnection of the organ through remote one or more gravity laser beam for the swing of the organ in its position,
- 10
- 15
- 20
- 25 cc. Electrical power generation, using one or more materials in the cavities, by the use of collection of the appropriate charge particles from the right electrodes specially positioned in the He (83) and Ar (82) layers or on the appropriate material layer, where the positive charges can be utilised as well as the negative charges for operation and used within or the outside the parameters of the system, that is to say the protons carry as much energy or most instance more than the its electron counter parts, where ever they are collected in one or more cavities of the reactor, and by which the total utilisation of all energies from all parts of an atom even the magnetic dark matter is possible, and not just the electrons as has been done up to now,
- 30
- 35
- 40 dd. Atomic welding applications and technology, as a simpler way to produce or fuse matter together than fusion methods - where large energies are required to fuse to atoms together - where atomic welding brings to near similar atoms or molecules together and only add one electron or proton, or an neutron for the two atoms to become one, which is in reality the reverse atomic decay or half life system method, which the world of science has never understood, where for example potassium goes
- 45

- 5 through beta decay to become argon, where if one add  
beta in the magnetic and gravitational condition one can  
create potassium from argon, thus applying the material  
creation in the universe, where the atoms do no start  
always from hydrogen to go to uranium, but they just  
simple weld into higher element to create heavier  
elements, like creating 113 element out of Iron 56 and 57  
(which is a double magnetic element and therefore can be  
called magnetically a 'dark' matter),
- 10 ee. Plating and etching methods, applications and devices,  
lithography,
- 15 ff. Space travel without use of any fuel using the gravitational  
pull of a targeted planet, where the double magnetic  
material created in one or more cores could be fed into  
three independent, 120 degrees positions, for creation of  
the planetary gravitational pull, where one reactor will be  
filled and two other reactors on approach to or near the  
destination will be reversed back in gravitational force  
using a different magnetic dark matter for break or slow  
down system,
- 20 gg. Non-tangible magnetic locks in position of gravity where  
the two magnetic fields are matching but opposite that they  
can lock into each other;

**AMENDED CLAIMS****received by the International Bureau on 09 January 2008 (09.01.08)**

Amended Claim 36.

- 5 Reactor, as specified in claim 4, that is incorporated in, connected to or  
positioned in the environment of technical devices or machinery, related to or  
for application to:
- 10 a. The creation of gravity and anti-gravity,  
b. The creation of internal heat source leading to creation and  
the interaction of two or more magnetic fields, leading to  
creation of gravity, shielding and current production in  
15 alternating or direct or electrovolts levels, used in the space,  
aircraft, and submarine, sea-bottom habitat, liquid habitat like  
in a container tank or for nano technology in blood vessels,  
colonisation crafts and colonisation systems (i.e. cocooned  
atmosphere conditions on a sea bed, beneath surface or on  
surfaces),
- 20 c. The same as u. but now creating at least one extra layer with a  
magnetic field rotating in opposite direction to at least one  
other magnetic field, within at least one core or outside the  
boundary of the system, creating in example a impenetrable  
field and useful for reentry or exit of atmospheric conditions, or  
for laser-like effects of co-existing magnetic fields (i.e.  
surgery, cutting tools and long-distance communication),
- 25 d. The production of energy via soft fusion (i.e. cold and warm  
fusion),  
e. The production of plasma due the creation of gravity at  
molecular level between two magnetic fields (41, 42)(62, 63)  
of two cavities or more in a system for creation high  
30 temperature plasma in fusion industries (40),  
f. New concepts of batteries, lighting devices (i.e. transparent  
reactor-housing, light-bulb, floor light, wall light and flood-  
light, etc.), security products (i.e. traffic lights, sensors, water  
purifiers, etc.) and industrial and household devices and  
35 apertures, like water-production machines,  
g. Heating and drying devices, the use of energy production  
capabilities for creating heating like warming the surrounding  
maters, like in boilers and heaters in the house for central  
heating systems or individual heating systems, and warm  
40 blanketing, using as boiler for warming up or boiling matters  
like liquids and malting solid materials, for use as drying  
system like hair dryers for industrial or commercial drying  
system, or heating oven, or stove or cookers in the house  
appliances, or grilling of food appliances for private or  
45 commercial or industrial use,  
h. Cooling devices due the reverse gravity magnetic field  
generation system(s), where the system will absorb heat from  
its surrounding, to cool its surrounding for use in the air-  
conditioning for buildings and cars, and crafts or any object  
50 which can carry any other object, refrigeration systems of any  
kind , production of ice or frozen state of any material or  
matter,  
i. The production of new materials in and outside the reactor  
55 chamber under specific magnetic and/or gravitational  
conditions (i.e. directional nano growth, the welding of atoms  
and molecules, etc.),

- 5 j. Atom creation for human or animal or plant cells, where the micro gravitational field in presence of magnetic fields in one or more cavities will allow magnetic fields above dark magnetic levels to manifest themselves and cluster together to create the nucleolus of the atom and in use of multi layering, then the electrons are allowed to manifest themselves, and these processes can be continued for leading to production of molecules, and base material for the DNA, where specific energies or magnetic fields are inserted leading to creation of the right characteristic of the foundation of the any cell or organs or creatures,
- 10 k. In space refuelling and accessing new material for food or oxygen, or parts will easily done, simply by retracting basic matters in the cosmos soup and using this method in conjunctions with atomic welding methods, all matters on continuous bases can be produced or manufactured as demand arises, so there are no need for huge inventory to carry, one produces in the core as what it is needed at that point of space and time,
- 15 l. Gravitational devices which can move without contact with a carrying substrate (i.e. earth surface, sea, air, etc.), such as gravitational lifted transport devices, lifters for heavy products, wheel chairs for able and disable bodies, the push chair for children , or elevators in building, the use of hollow center loop fitted with rotor blade of any kind for the manufacture of current, for sky or water board , sliding board for play where the board hover, for movement large objects, this being for automotive or commercial vessels, trucks and trailers or shipping over liquid or solid bodies from one continent to other or planets or solar systems and galaxies, for use of cycles sliding over surface, craft which can fly and have magnetic shielding and gravitational force field inside, for railway like system where the object of any size or length can flout over the track, use in the fork lift and crane and platform lifting of an object of any kind and size in industry for lifting objects or liquids to any height, for the use in the gates and doors which will elevate and levitate or revolve by use of antigravity and vice versa, tables and chairs, beds, furniture's of any kind with or without legs or attachments to the physical surrounding, shoes for walking,
- 20 m. Inter-terra development and exploration (i.e. transport tunnels and hollow habitat spaces by rock melting in deeper earth and planet layers),
- 25 n. Transforming units for the decomposition and recompositions of waste and old products in new basic matter and materials or specific combinations (i.e. plastics),
- 30 o. Products related to the creation of double or more magnetic fields superimposed (30), at least two, and fully in circulating each other in layers, on top of each other for multi-layer shielding of an object, where at least one magnetic fields can rotate in one direction or at least one rotating in the opposite direction to one or more fields, like for the use in submarine or space craft industry, Air- and space transport systems and devices (i.e. with magnetic shielding effect with creation of
- 35 imposition gravity) and non-air-friction-systems, products for
- 40
- 45
- 50
- 55

- welding industry, this being material or atomic welding or molecular welding,
- 5 p. Electronic devices and components (i.e. computers, scanners, etc. with 3D-dynamische layers), nano-wire transistors, three dimensional screen, three dimensional communication holographic systems, etc., and various aspects of nano-technology, where the minuet machines needed to be energised and controlled, where the packages of energy can be made or delivered to the energy cells or the battery of the system for it to continue operation, or the use of minuet battery system which only creates electrovolts current needed for the operation of these micro machines,
- 10 q. Communication systems, by the use of the soft body, or port of the reactor at least with one cavity, where the high energy magnetic wave are released in the spherical domain, or at least in one direction, where the magnetic energy will be code in the sequence as in the present system but this will be hard to decipher in the inter galaxy system, the best method of space rapid response communication will be the magnetic plasma of the element in the sequential chambers, what this means is that the Hydrogen plasma magnetic energy will be A, Helium plasma magnetic energy will be B and so forth, according to atomic weight if the element, where simultaneous small chamber magnetic charge will be released in the magnetic energy field level, then there is no need for decoding or losing information in the solar system or galaxy media, as each element of the periodic table carries it own magnetic energy frequencies in the plasma magnetic state, and then the time laps will be insignificant, and inter solar magnetospheric bouncing will be used, like satellite dishes of the present time to forward a massage onto the next system or craft in the other part of the same system or others,
- 15 20 25 30
- r. New decontamination systems, and growth provoking magnetic conditions for human, animal and plant cells and life (i.e. plasma-multi-color light), and radiation protection, CO<sub>2</sub>-decomposition system, etc.,
- 35 s. Weapon systems (i.e. a fragment of the reactor wall is opened under controlled conditions or at least one layer-core is opened by physical means and/or at least one magnetic field), partial or complete magnetic disintegration of matter on any atomic or molecular level (i.e. meteorites), protection fields for various object like air craft, ships, tanks, housing, radar-stealth system (For stealth effect where the incoming energy from a radar can fully be absorbed in the tangles of one or more magnetic fields), EM-absorption systems,
- 40 45
- t. magnetic blanketing (internal magnetic ordering in objects, tools and devices),
- u. Housing concepts and products, due the use of the magnetic field shielding, as an object to prevent passage or block or obscure the view into or out of an object, like as doors or walls for entering into or out of an object, like the door of a house or walls of the house, or as replacement of or the glass or any other materials used for this purpose where the double glazing or any kind of glazing, or prevention of entry of small or certain object can be predetermined by the field, like to be used as of mosquito nets and window fly nets, or as umbrellas
- 50 55



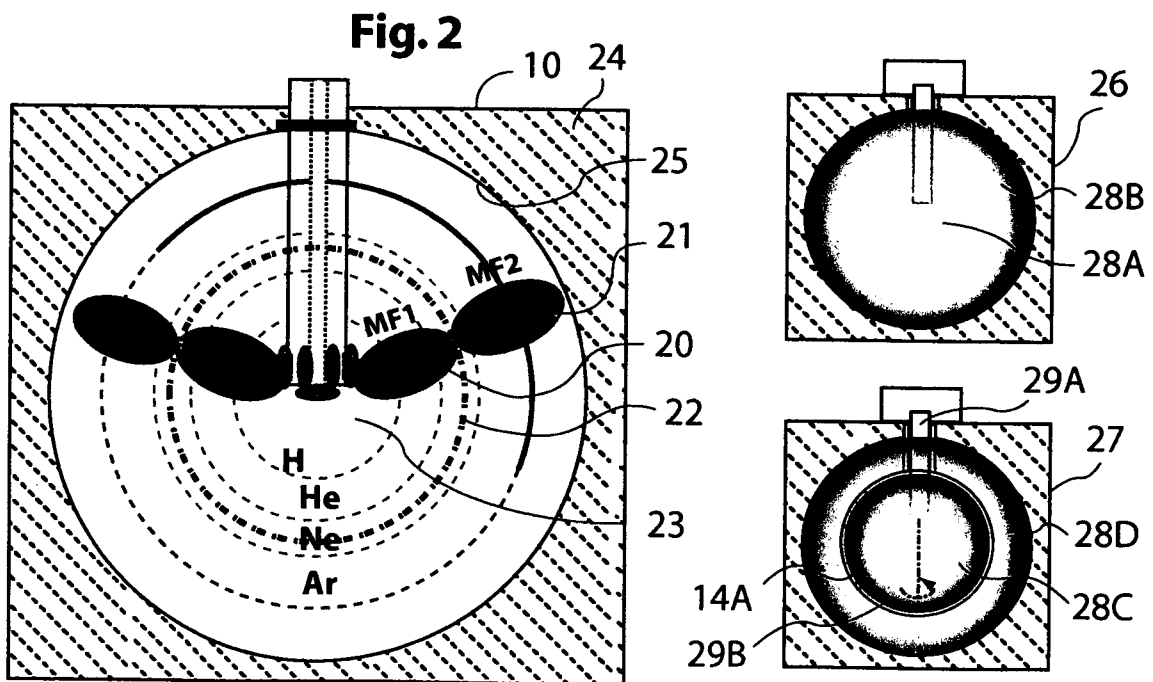
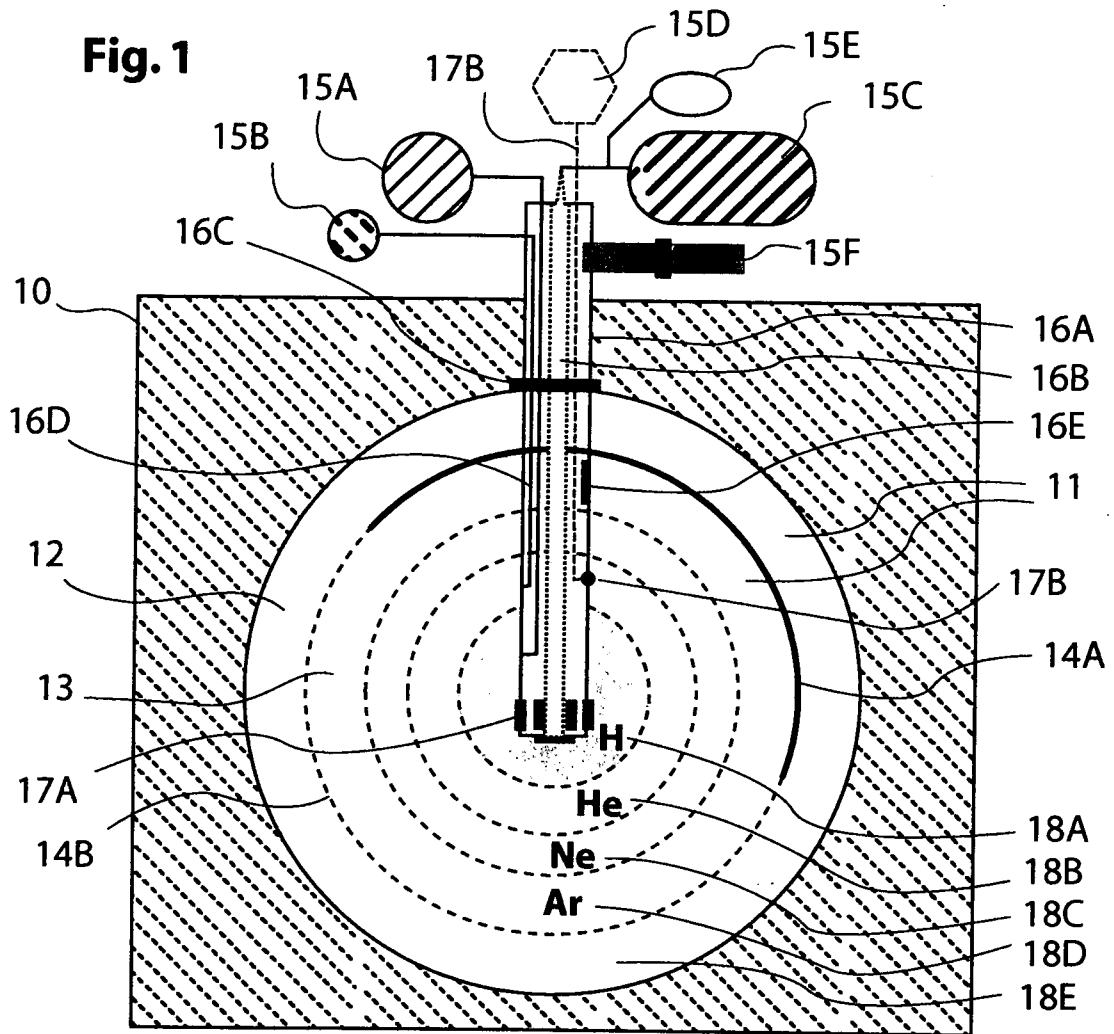
- for preventing the sun or the rain from reacting any matter or object, roofing, and flooring,
- 5 v. Products and applications related to the energy release mechanism using soft or retractable wall system of the core that can be used for release of plasma or energy or an object, or material in one or more direction from the at least one or more cores of the system, this being used as the rivet machines, nail machines or guns of all sorts, shooting guns for defence and laser or leisure or hunting, using for destruction of matter ahead like dynamite, drilling machine in any scale or with any power, dentist drilling machine, space weapons for destruction of meteorite or object ahead, where the delivered mater will not have a physical container as of the rockets and bolts of present time, but packages of energy being magnetic or plasmas or matter of any kind,
- 10 w. Suction machines for vacume system for absorption or attraction of other matters by use of magnetic field attraction or physical suction of the system, this being used for likes of household vacuum cleaners or industrial vacuum cleaners, or for absorption of any gas or liquid, or solid material from its immediate environment like in contamination clean up conditions, and this can be created through magnetic strength helicities between at least two inter-layers (57, 55) of material with different speed of rotation and varying atomic weight, creating it's own localized magnetic field black hole (56) condition where by the use of soft body core or magnetic tunneling material can be sucked into the black hole region from the core region of the reactor or by facilitating a port hole from matters outside into the black hole condition, as described in annex (section " creation of black hole") and in the description,
- 15 x. Products related to the creation of internal heat source leading to creation and the interaction of two or more magnetic fields, leading to creation of gravity, shielding and current production in alternating or direct or electrovolts levels, used in the space, aircraft, and submarine, colonisation crafts,
- 20 y. Textiles (i.e. with memory), and vacuum suits for human or animal or any object in possession of internal gravity for play or industrial or apace application, like toys (i.e. human lifting belts) and sporting products, all sorts of material used for floating, belts for levitation , where gravity can be reversed, magnetic shield bowls, diving suits for submerging in to any liquid or gas in possession of gravity and heating elements,
- 25 z. Products, machinery and applications related to using the magnetic pressurises for the production or shaping of all kinds of material or containers and use in the pressure moulding and pressure casting, or for the pressure pumped systems of all types of materials and matters, like the water pumps, injectors for computer industry printing and etching system,
- 30 aa. Zero gravity machines for production of material, where the reactor will, by in circulating the inner cavity, where the material is produced, like in flask or a room , where the magnetic fields of one or more do not pass the inner physical boundary of the containment but creates the zero gravity condition in the inner cavity but not at the same time a vacume condition, this being used for like production of
- 35
- 40
- 45
- 50
- 55

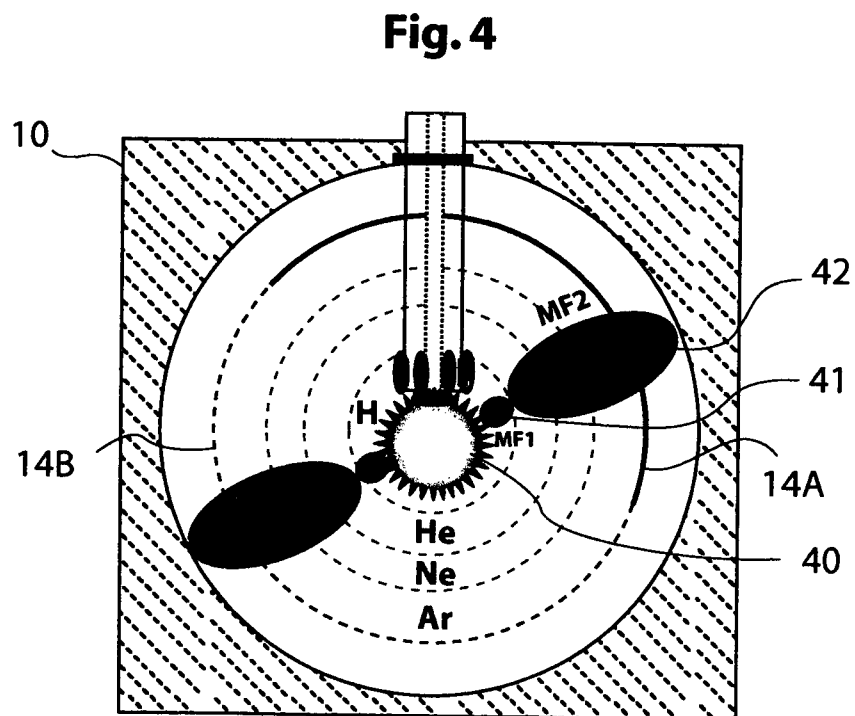
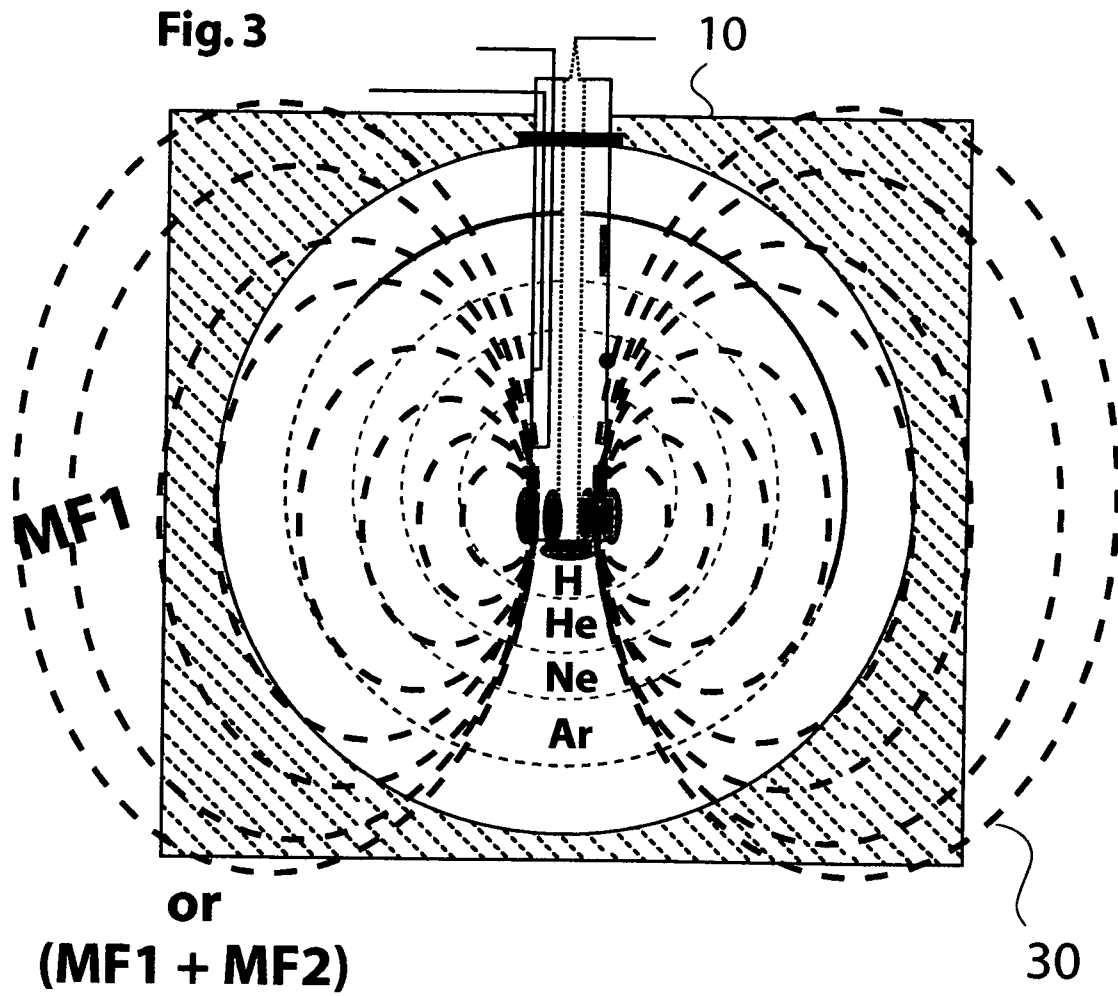
- silicone or for the micro chip industries where clean but zero gravity condition is necessary,
- 5 bb. Medical devices and applications, due the creation of one or more soft magnetic fields for matching the magnetic field but at the same time in possession of gravitational force system, with temperature level control requirements for medical use , for like reseating of the magnetic or energy levels of human cell for eradication of cancer cell from a tissue, for blood cell for blood cancer, like dialysis's machine, or creation of condition for the growth of body part in the exact position on the body, of remote matter or organs replacement without cutting tissues or organs from outside to reach the organs or part in the matter, this is un-intrusive surgery, incubators for premature bore child, where the gravity can be reduced to allow breeding in a softer conditions, where heat and liquid condition of the internal environment of mother reproduction organs can be replicated, Incubators for animal production, Organ transplant without intrusive method by transmutation of the organ in its position and in position reconnection of the organ through remote one or more gravity laser beam for the swing of the organ in its position,
- 10
- 15
- 20 cc. Electrical power generation, using one or more materials in the cavities, by the use of collection of the appropriate charge particles from the right electrodes specially positioned in the He (83) and Ar (82) layers or on the appropriate material layer, where the positive charges can be utilised as well as the negative charges for operation and used within or the outside the parameters of the system, that is to say the protons carry as much energy or most instance more than the its electron counter parts, where ever they are collected in one or more cavities of the reactor, and by which the total utilisation of all energies from all parts of an atom even the magnetic dark matter is possible, and not just the electrons as has been done up to now,
- 25
- 30
- 35 dd. Atomic welding applications and technology, as a simpler way to produce or fuse matter together than fusion methods - where large energies are required to fuse to atoms together - where atomic welding brings to near similar atoms or molecules together and only add one electron or proton, or a neutron for the two atoms to become one, which is in reality the reverse atomic decay or half life system method, which the world of science has never understood, where for example potassium goes through beta decay to become argon, where if one add beta in the magnetic and gravitational condition one can create potassium from argon, thus applying the material creation in the universe, where the atoms do no start always from hydrogen to go to uranium, but they just simple weld into higher element to create heavier elements, like creating 113 element out of Iron 56 and 57 (which is a double magnetic element and therefore can be called magnetically a 'dark' matter),
- 40
- 45
- 50 ee. Plating and etching methods, applications and devices, lithography,
- 55 ff. Space travel without use of any fuel using the gravitational pull of a targeted planet, where the double magnetic material created in one or more cores could be fed into three

5

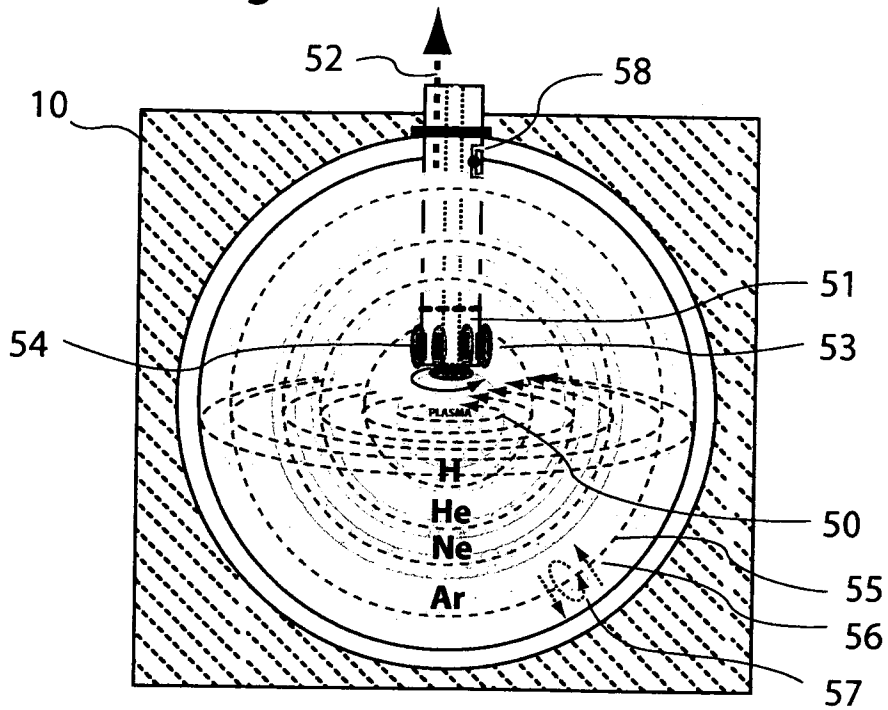
independent, 120 degrees positions, for creation of the planetary gravitational pull, where one reactor will be filled and two other reactors on approach to or near the destination will be reversed back in gravitational force using a different magnetic dark matter for break or slow down system,

gg. Non-tangible magnetic locks in position of gravity where the two magnetic fields are matching but opposite that they can lock into each other;

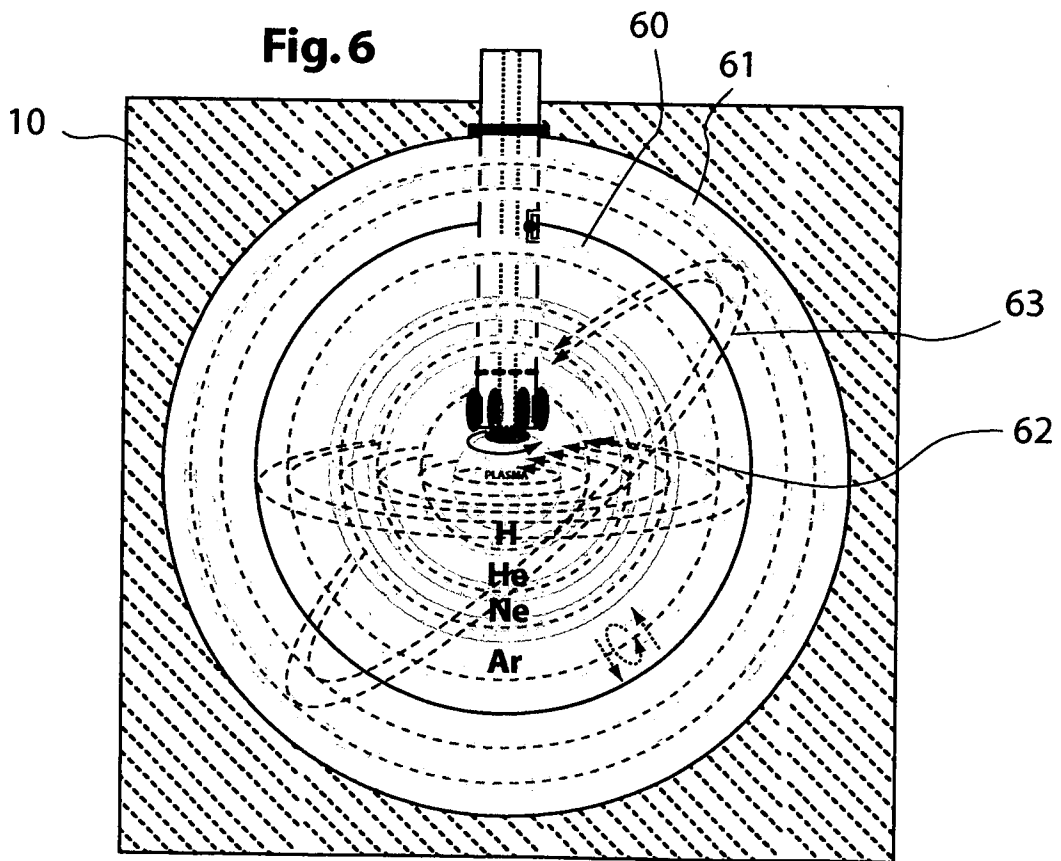




**Fig. 5**



**Fig. 6**





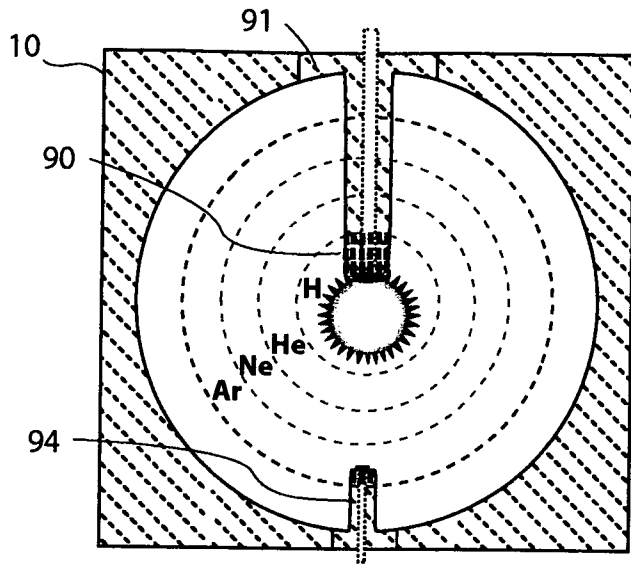


Fig. 9

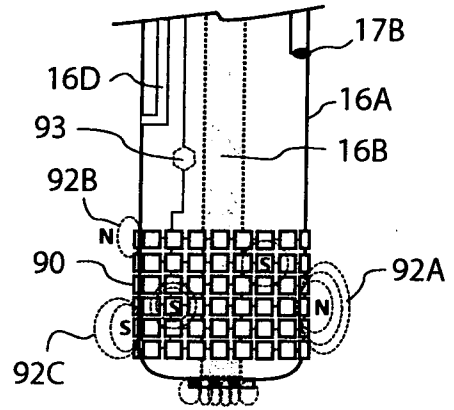
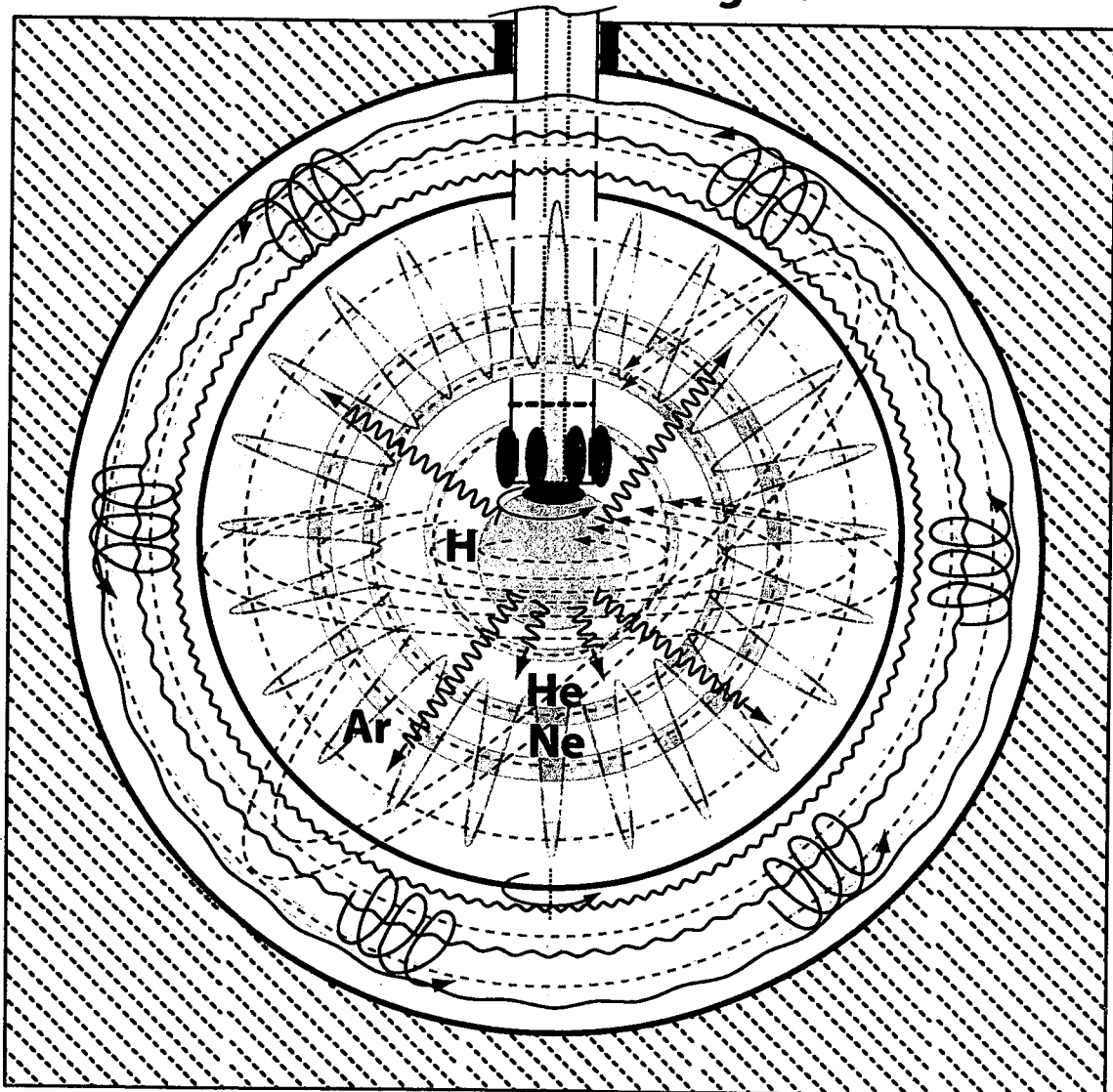
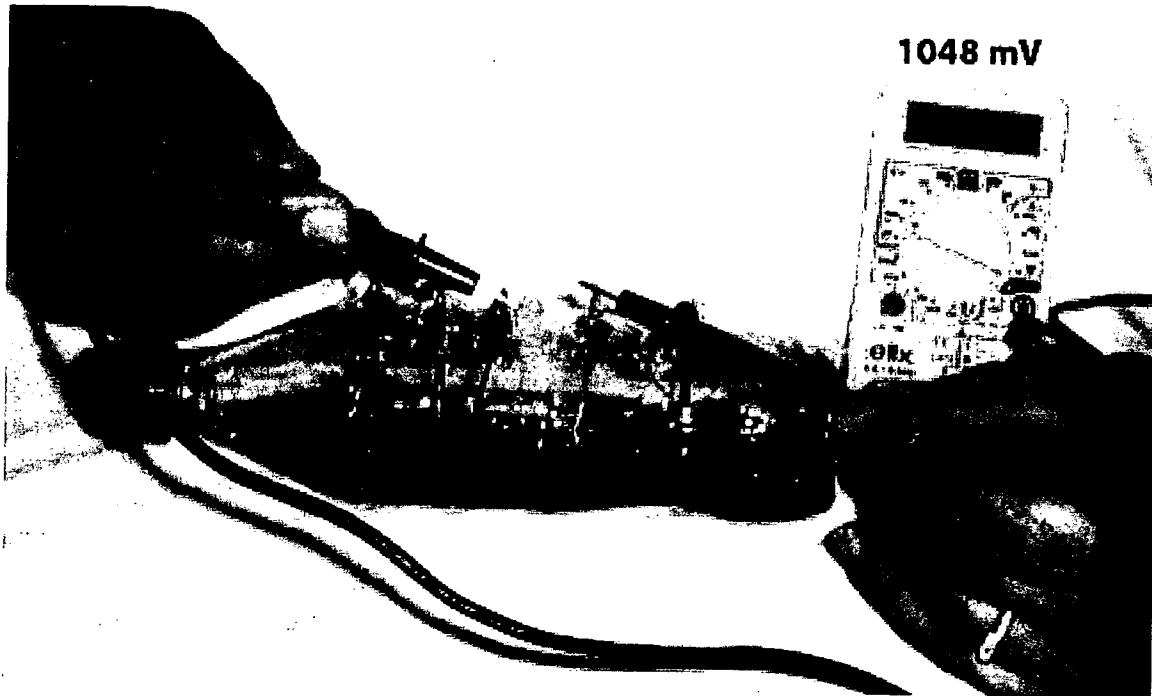


Fig. 10

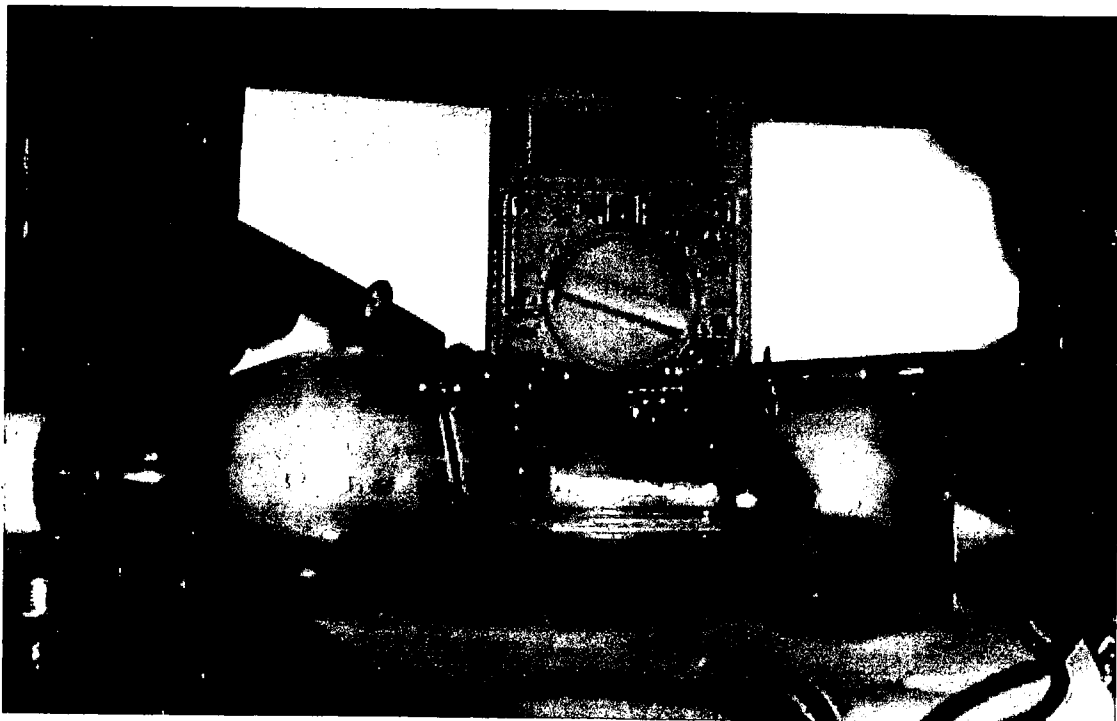




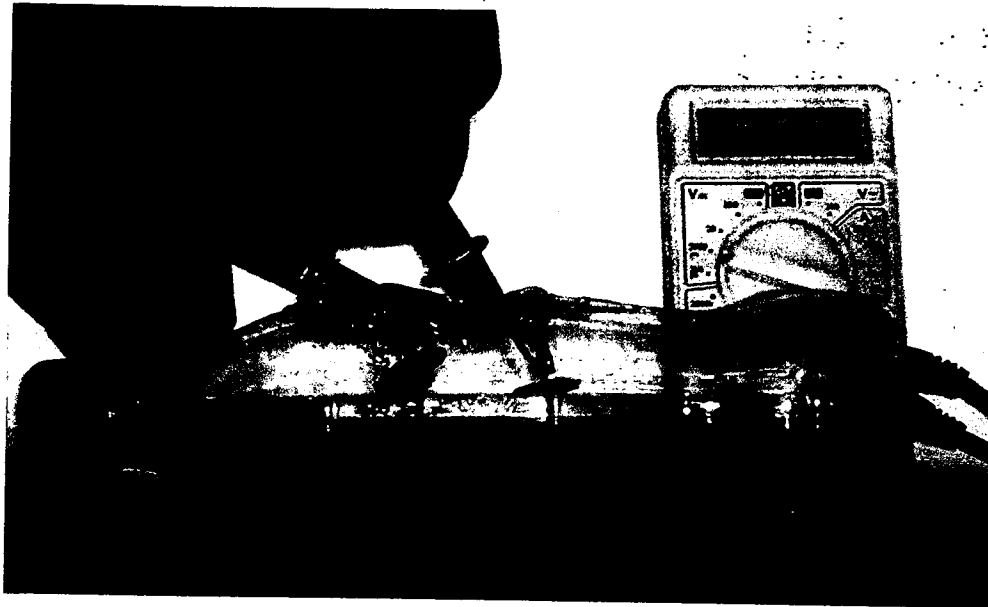
**Fig. 11**



**Fig. 12**



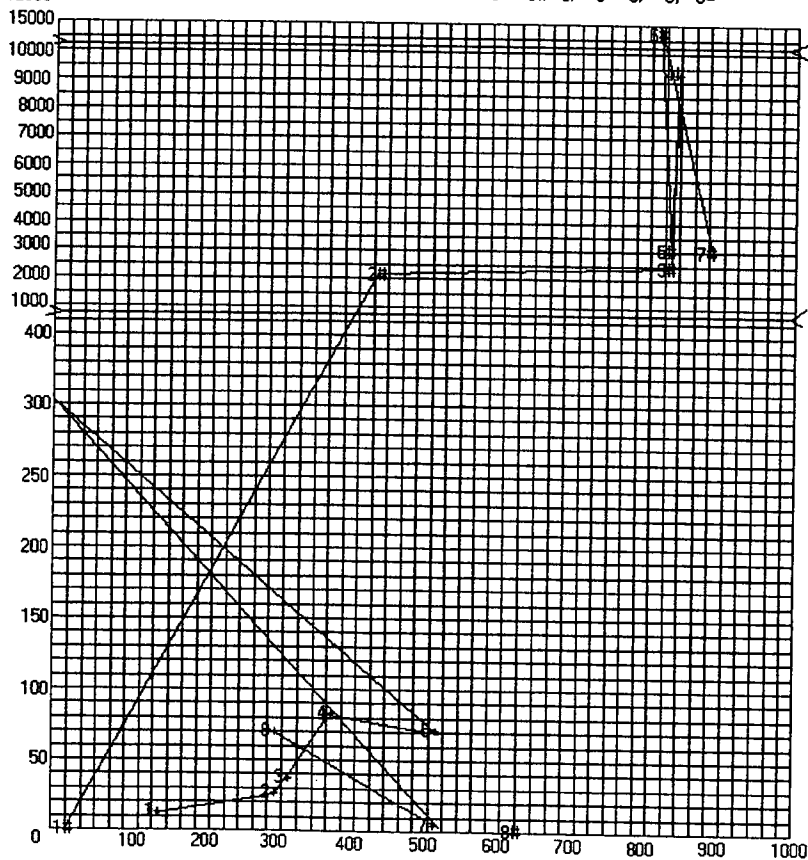
**Fig. 13**

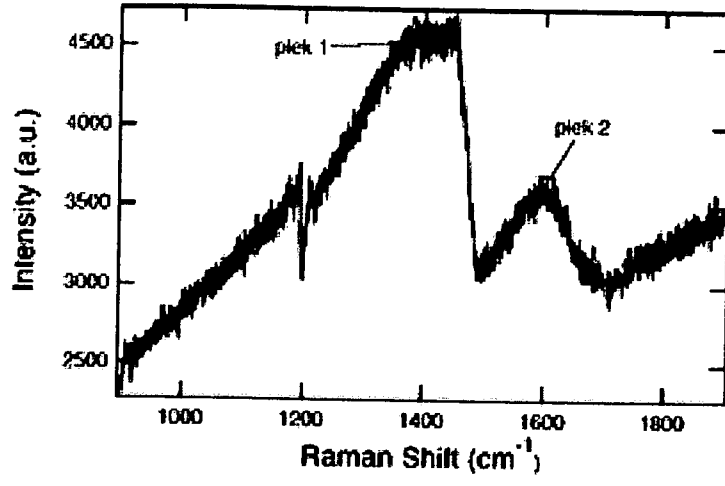


Values of current and voltage in respect to Terminal  
 V in mV and A in Micro amps  
 1 and 1A  
 and 2 and 3

1	1A	2	2A	3	3A	4	4A
1x	1+	1#	1/	1*	1>	1)	1=
2x	2+	2#	2/	2*	2>	2)	2=
3x	3+	3#	3/	3*	3>	3)	3=
4x	4+	4#	4/	4*	4>	4)	4=
5x	5+	5#	5/	5*	5>	5)	5=
6x	6+	6#	6/	6*	6>	6)	6=
7x	7+	7#	7/	7*	7>	7)	7=
8x	8+	8#	8/	8*	8>	8)	8=

**Fig. 14**





**Fig. 15**

# INTERNATIONAL SEARCH REPORT

International application No  
PCT/EP2007/002606

**A. CLASSIFICATION OF SUBJECT MATTER**  
INV. G21K1/00 G21B1/00

According to International Patent Classification (IPC) or to both national classification and IPC

**B. FIELDS SEARCHED**

Minimum documentation searched (classification system followed by classification symbols)  
G21K G21B

Documentation searched other than minimum documentation to the extent that such documents are included in the fields searched

Electronic data base consulted during the international search (name of data base and, where practical, search terms used)

EPO-Internal, WPI Data, INSPEC

**C. DOCUMENTS CONSIDERED TO BE RELEVANT**

Category*	Citation of document, with indication, where appropriate, of the relevant passages	Relevant to claim No.
E	EP 1 770 717 A (TAVAKOLI MEHRAN KESHE [BE]) 4 April 2007 (2007-04-04) the whole document	1-36
X	US 4 831 627 A (CAMPBELL JONATHAN L [US]) 16 May 1989 (1989-05-16) column 3, line 12 - column 4, line 2 figure 1	4

Further documents are listed in the continuation of Box C.

See patent family annex.

\* Special categories of cited documents :

- \*A\* document defining the general state of the art which is not considered to be of particular relevance
- \*E\* earlier document but published on or after the international filing date
- \*L\* document which may throw doubts on priority claim(s) or which is cited to establish the publication date of another citation or other special reason (as specified)
- \*O\* document referring to an oral disclosure, use, exhibition or other means
- \*P\* document published prior to the international filing date but later than the priority date claimed

- \*T\* later document published after the international filing date or priority date and not in conflict with the application but cited to understand the principle or theory underlying the invention
- \*X\* document of particular relevance; the claimed invention cannot be considered novel or cannot be considered to involve an inventive step when the document is taken alone
- \*Y\* document of particular relevance; the claimed invention cannot be considered to involve an inventive step when the document is combined with one or more other such documents, such combination being obvious to a person skilled in the art.
- \*&\* document member of the same patent family

Date of the actual completion of the international search	Date of mailing of the international search report
28 September 2007	08/11/2007
Name and mailing address of the ISA/ European Patent Office, P.B. 5818 Patentlaan 2 NL - 2280 HV Rijswijk Tel. (+31-70) 340-2040, Tx. 31 651 epo nl, Fax: (+31-70) 340-3016	Authorized officer  Capostagno, Eros

## FURTHER INFORMATION CONTINUED FROM PCT/ISA/ 210

Continuation of Box II.1

Claims Nos.: 1-3, 5-36

independent claims 1-3 try to characterize a method for producing energy and gravity fields with a reactor, by "starting (after sealing the reactor chamber) a controllable interaction process of repositioning the plasmatic magnetic energy fields of the introduced elements". Since neither the "plasmatic energy fields", nor the means for igniting the process, nor the means for controlling the subsequent events are clearly defined, claims 1-3 do not meet the requirements of Article 6 PCT in that the matter for which protection is sought is not clearly defined.

In other words, these claims attempt to define the subject-matter in terms of the result to be achieved, which merely amounts to a statement of the underlying problem, without providing the technical features necessary for achieving this result.

For the same reasons, dependent claims 5, 6, 8, 32-35 attempt to define the subject-matter in terms of the result to be achieved, which merely amounts to a statement of the underlying problem, without providing the technical features necessary for achieving this result.

Dependent claim 7 appears too broad. A more precise limitation of the claim should be defined.

In dependent claims 28-31, the presence of unclear terms, such as "non-tangible magnetic fields", establishes a non-defined limitation of the subject-matter of such claims.

Claim 36 should be drafted as a "use claim".

# INTERNATIONAL SEARCH REPORT

International application No.  
PCT/EP2007/002606

## Box II Observations where certain claims were found unsearchable (Continuation of item 2 of first sheet)

This International Search Report has not been established in respect of certain claims under Article 17(2)(a) for the following reasons:

1.  Claims Nos.: 1-3, 5-36  
because they relate to subject matter not required to be searched by this Authority, namely:  
see FURTHER INFORMATION sheet PCT/ISA/210
2.  Claims Nos.:  
because they relate to parts of the International Application that do not comply with the prescribed requirements to such an extent that no meaningful International Search can be carried out, specifically:
3.  Claims Nos.:  
because they are dependent claims and are not drafted in accordance with the second and third sentences of Rule 6.4(a).

## Box III Observations where unity of invention is lacking (Continuation of item 3 of first sheet)

This International Searching Authority found multiple inventions in this international application, as follows:

1.  As all required additional search fees were timely paid by the applicant, this International Search Report covers all searchable claims.
2.  As all searchable claims could be searched without effort justifying an additional fee, this Authority did not invite payment of any additional fee.
3.  As only some of the required additional search fees were timely paid by the applicant, this International Search Report covers only those claims for which fees were paid, specifically claims Nos.:
4.  No required additional search fees were timely paid by the applicant. Consequently, this International Search Report is restricted to the invention first mentioned in the claims; it is covered by claims Nos.:

### Remark on Protest

- The additional search fees were accompanied by the applicant's protest.
- No protest accompanied the payment of additional search fees.

# INTERNATIONAL SEARCH REPORT

Information on patent family members

International application No  
PCT/EP2007/002606

Patent document cited in search report	Publication date	Patent family member(s)	Publication date
EP 1770717	A	04-04-2007	NONE
US 4831627	A	16-05-1989	NONE